

Mirage IIIC

eduard

1/48 SCALE PLASTIC KIT

ProfiPACK
edition

#8103



ATTENTION



UPOZORNĚNÍ



ACHTUNG



ATTENTION



注意



Carefully read instruction sheet before assembling. When you use glue or paint, do not use near open flame and use in well ventilated room. Keep out of reach of small children. Children must not be allowed to suck any part, or pull vinyl bag over the head.



Před započatím stavby si pečlivě prostudujte stavební návod. Při používání barev a lepidel pracujte v dobře větrané místnosti. Lepidla ani barvy nepoužívejte v blízkosti otevřeného ohně. Model není určen malým dětem, mohlo by dojít k požití drobných dílů.

INSTRUCTION SIGNS



INSTR. SYMBOLY



INSTRUKTION SINNBILDEN



SYMBOLS

記号の説明



OPTIONAL
VOLBA



BEND
OHNOUT



OPEN HOLE
VYVRTAT OTVOR



SYMETRICAL ASSEMBLY
SYMETRICKÁ MONTÁŽ



REMOVE
ODŘÍZNOUT



REVERSE SIDE
OTOČIT



APPLY EDUARD MASK
AND PAINT
POUŽÍT EDUARD MASK
NABARVIT

8103 - NAV1

PARTS



DÍLY



TEILE



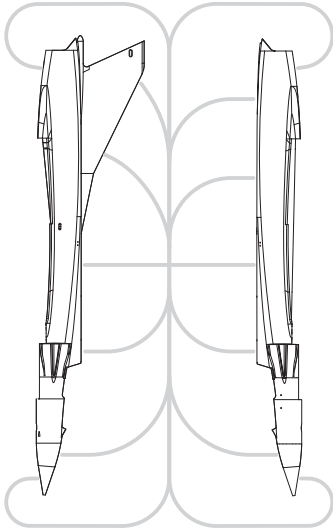
PIÈCES



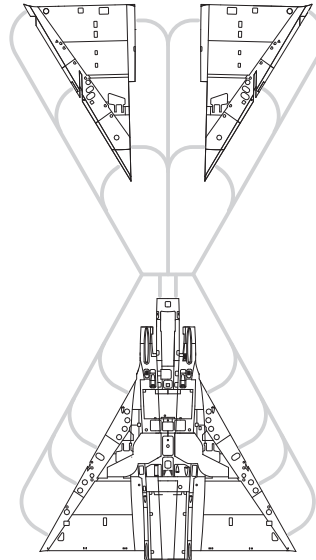
部品

PLASTIC PARTS

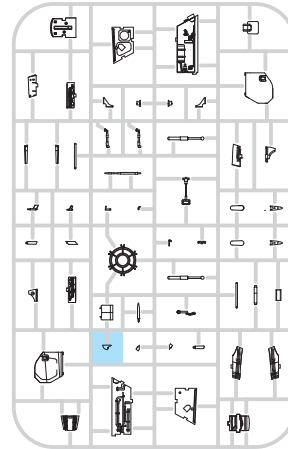
A>



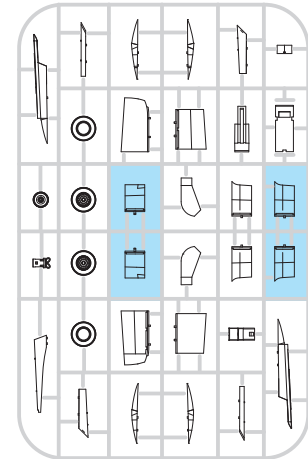
B>



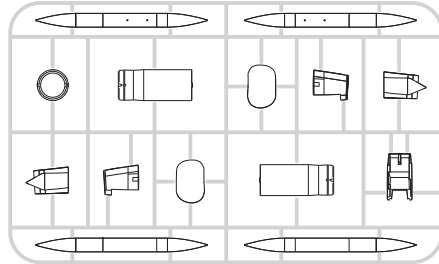
C>



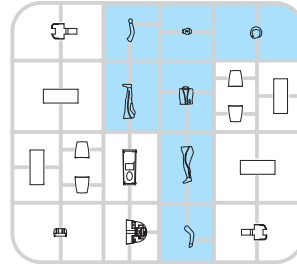
D>



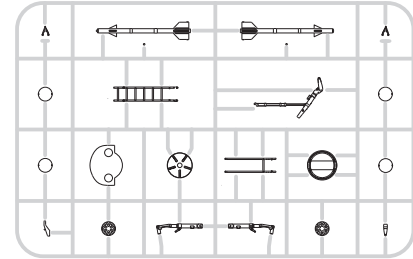
E>



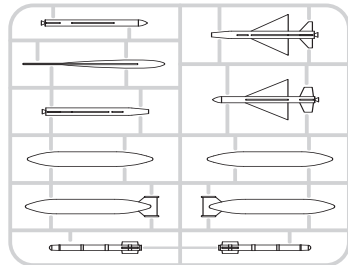
F>



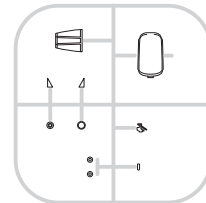
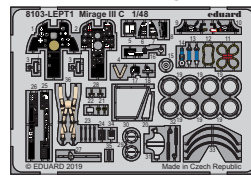
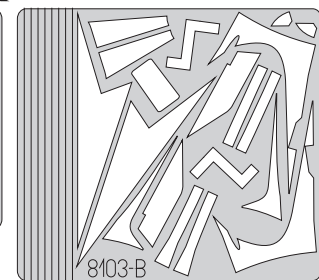
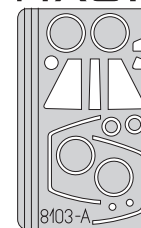
G>



H>



I>

PE - PHOTO ETCHED
DETAIL PARTSeduard
MASK

-Parts not for use. -Teile werden nicht verwendet. -Pièces à ne pas utiliser. -Tyto díly nepoužívejte při stavbě. - 使用しない部品

COLOURS



BARVY



FARBEN



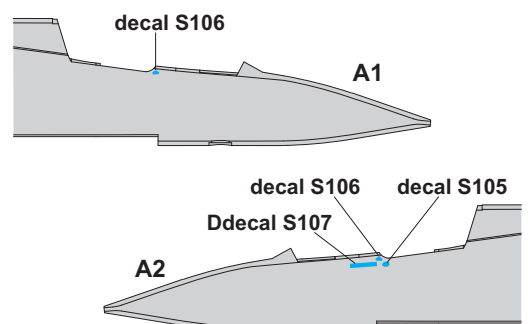
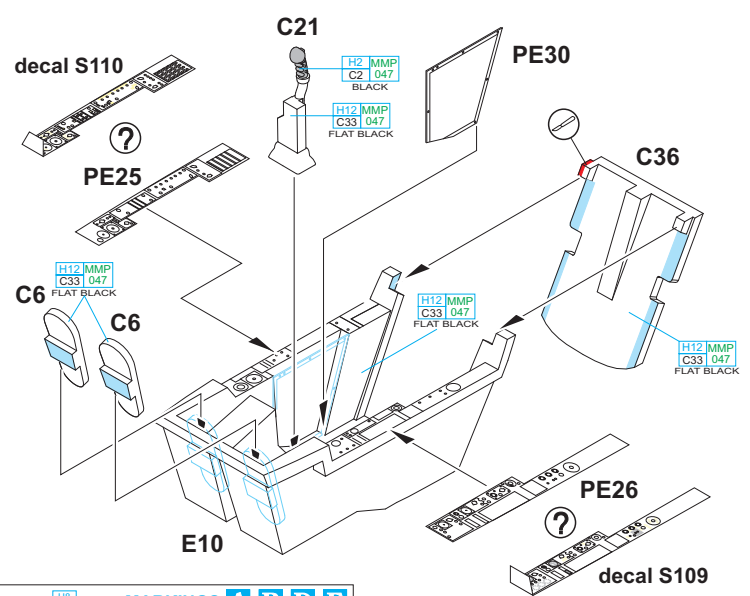
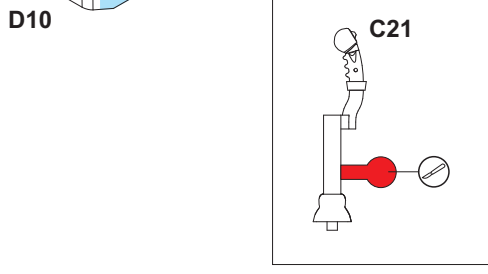
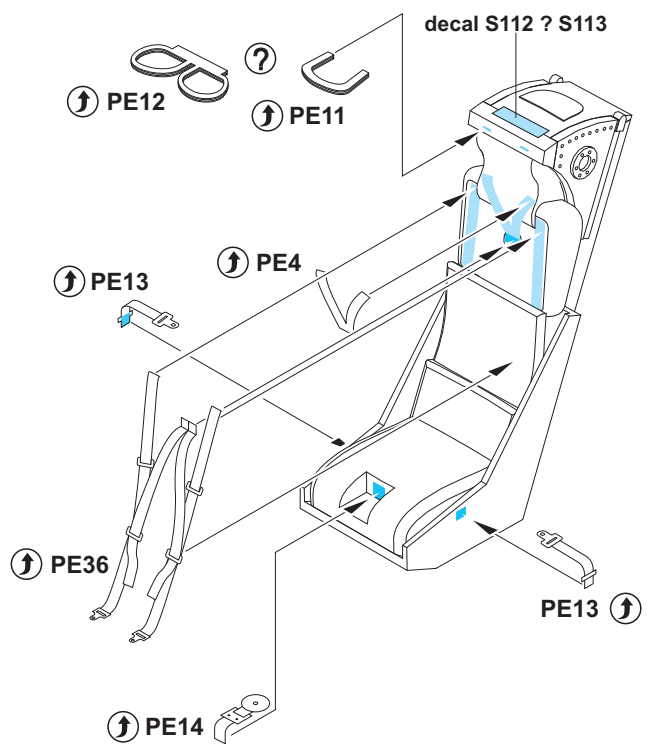
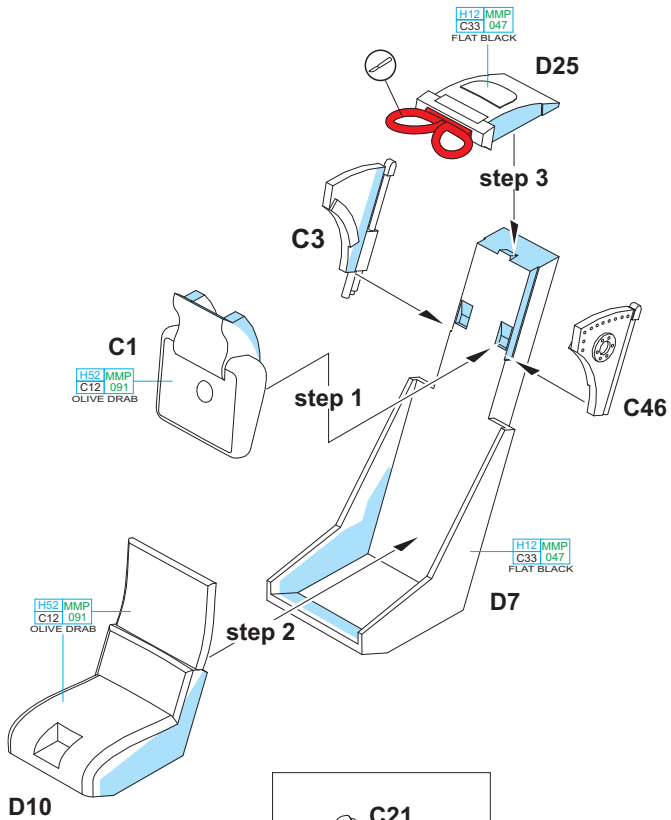
PEINTURE



色

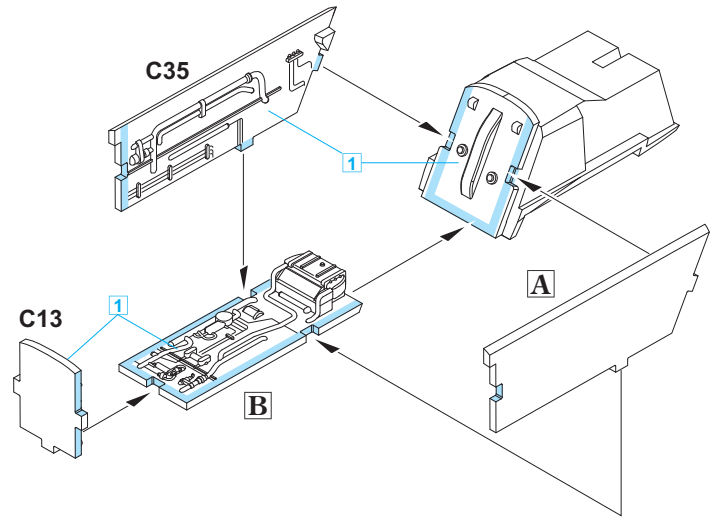
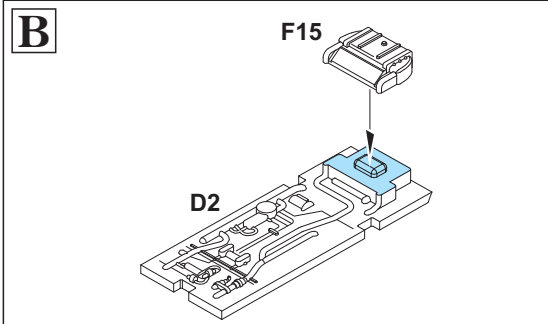
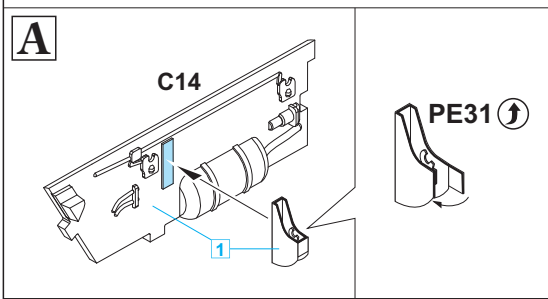
GSI Creos (GUNZE)		MISSION MODELS	
AQUEOUS	Mr.COLOR	PAINTS	
H1	C1	MMP-001	WHITE
H2	C2	MMP-047	BLACK
H4	C4	MMP-007	YELLOW
H8	C8		SILVER
H11	C62	MMP-001	FLAT WHITE
H12	C33	MMP-047	FLAT BLACK
H24	C58		ORANGE YELLOW
H27	C44		TAN
H51	C11	MMP-063	LIGHT GULL GRAY
H52	C12	MMP-091	OLIVE DRAB
H58	C351	MMP-059	INTERIOR GREEN
H67	C115	MMP-057	LIGHT BLUE
H72	C22	MMP-078	DARK EARTH
H77	C137	MMP-040	TIRE BLACK
H79	C39		SANDY YELLOW
H90	C47		CLEAR RED

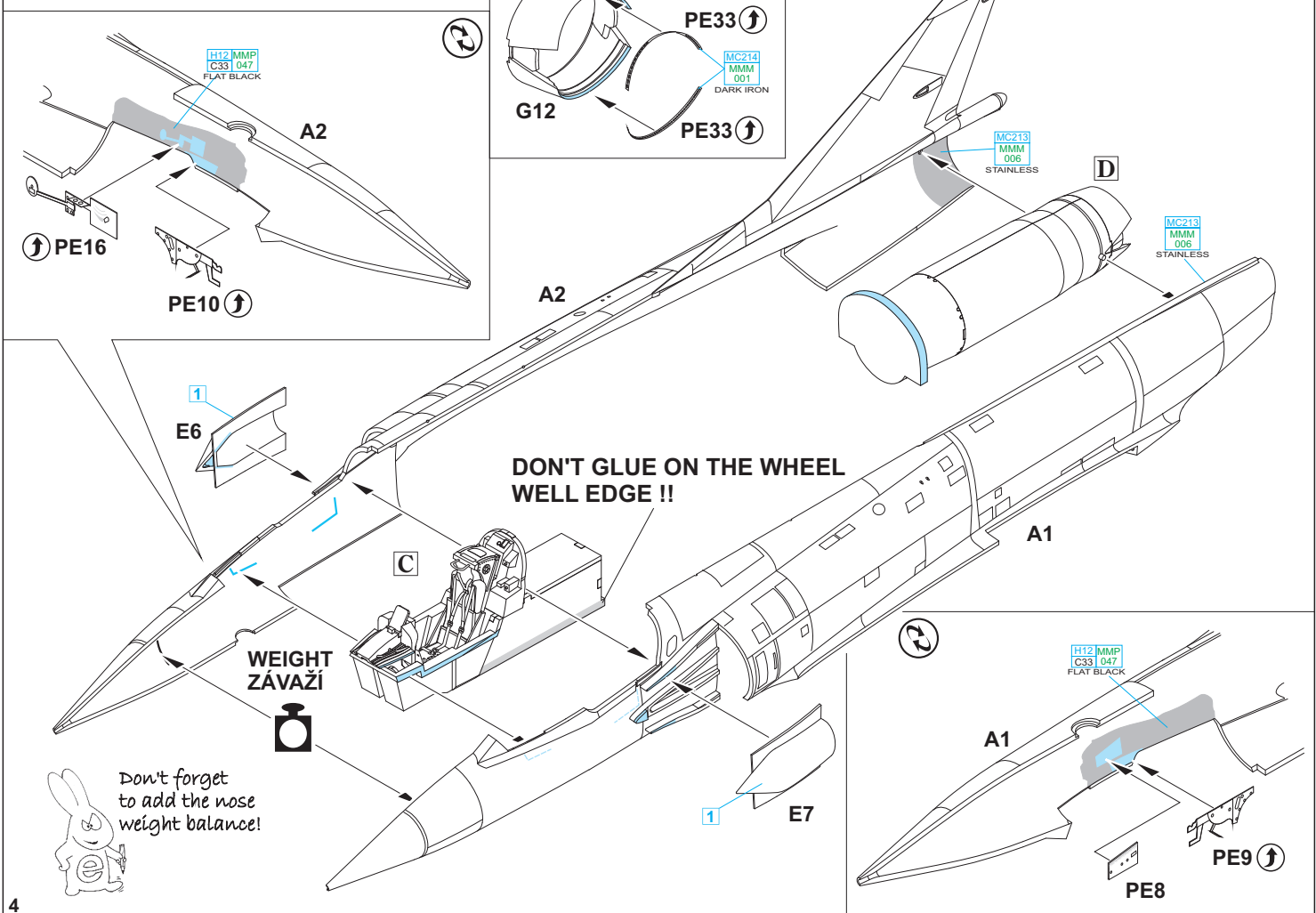
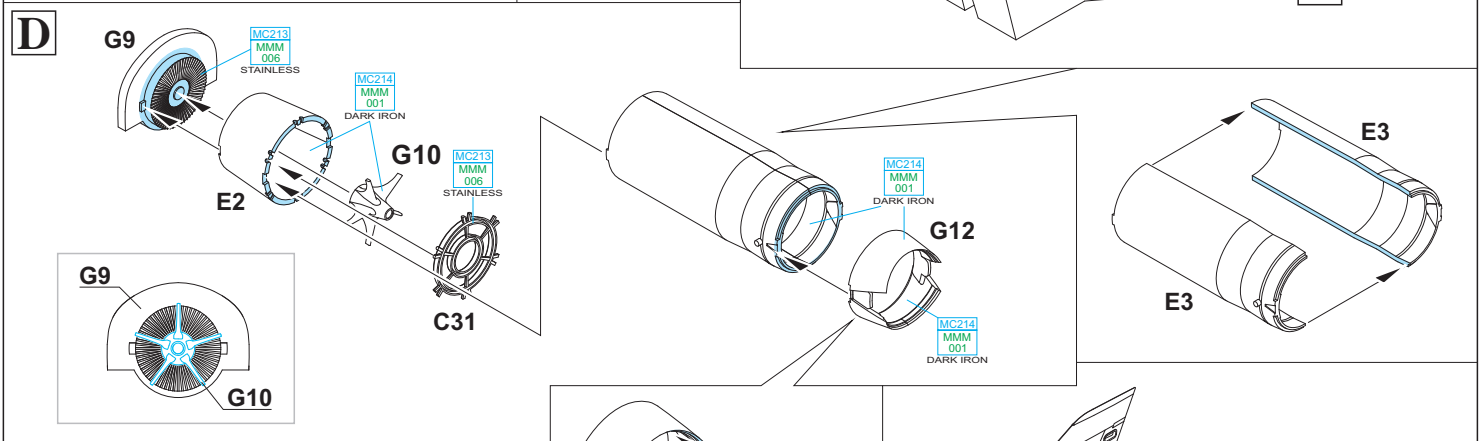
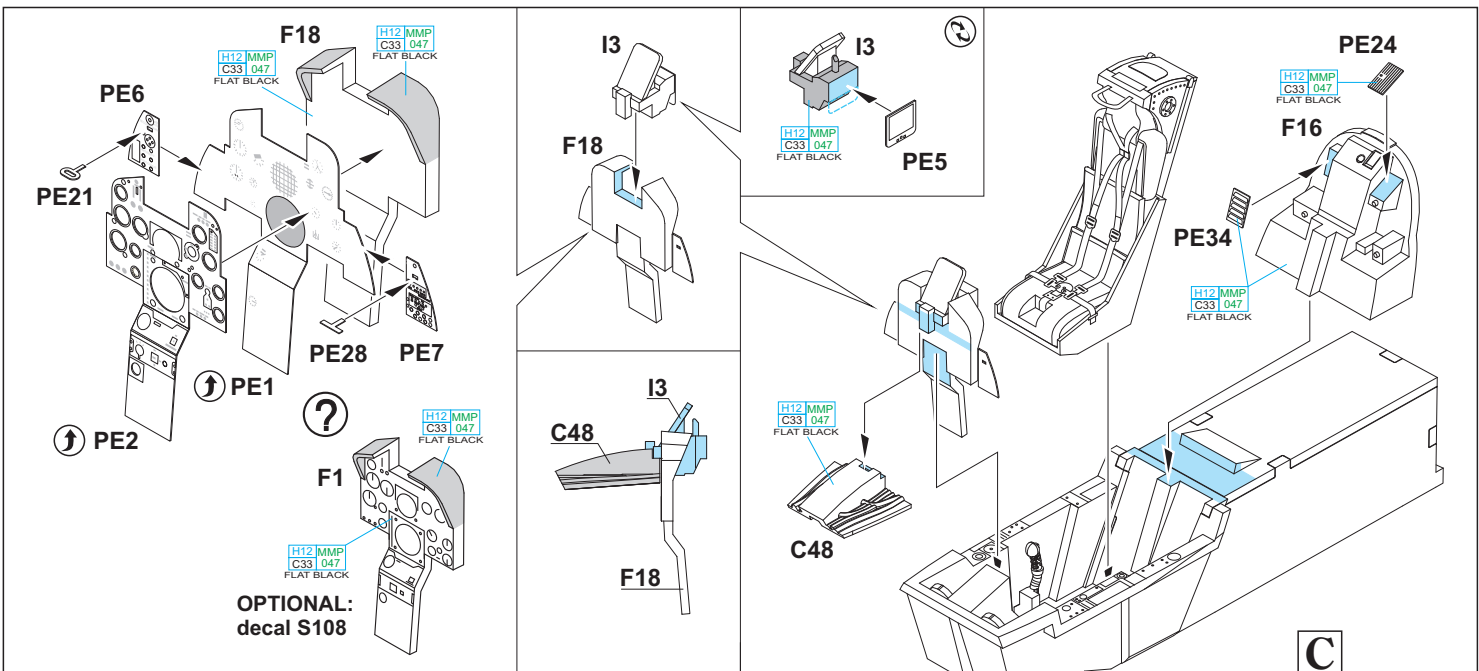
GSI Creos (GUNZE)		MISSION MODELS	
AQUEOUS	Mr.COLOR	PAINTS	
H93	C50		CLEAR BLUE
H94	C138		CLEAR GREEN
H310	C310	MMP-060	BROWN
H312	C312		GREEN
H313	C313		YELLOW
H314	C314		BLUE
H323	C323		LIGHT BLUE
H330	C361	MMP-077	DARK GREEN
H337	C337		GRAYISH BLUE
	C352		YELLOW CHROMATE
Mr.METAL COLOR		METALLICS	
MC213		MMM-006	STEEL
MC214		MMM-001	DARK IRON
MC218		MMM-003	ALUMINIUM
Mr.COLOR SUPER METALLIC		METALLICS	
SM01		MMC-001	SUPER CHROME

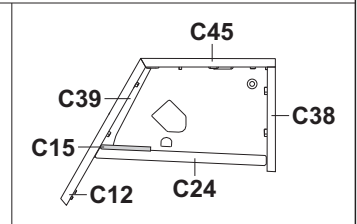
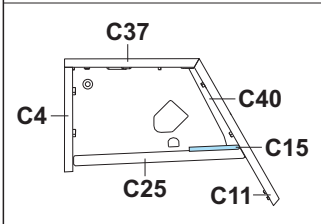
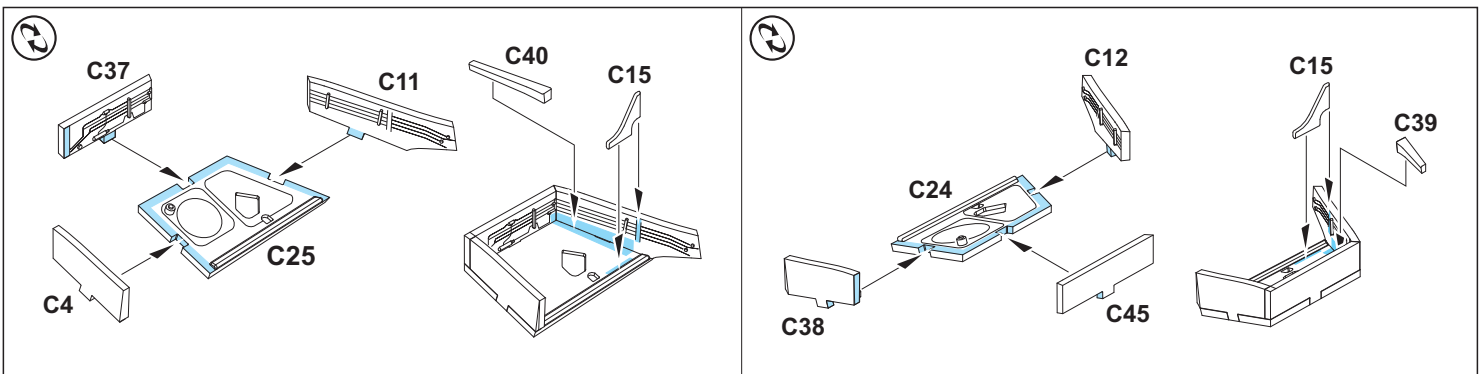


1 =

H8 C8 SILVER	- MARKINGS A;B;D;E
H11 MMP C62 001 FLAT WHITE	- MARKING C



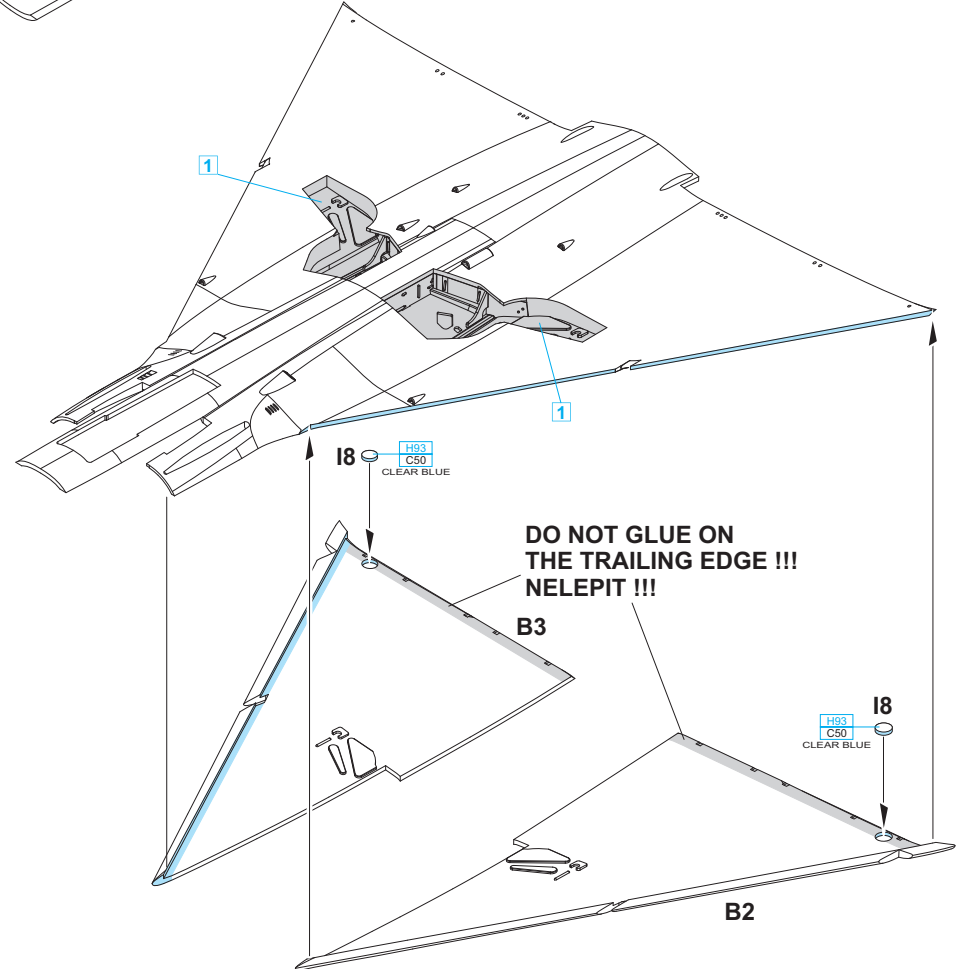
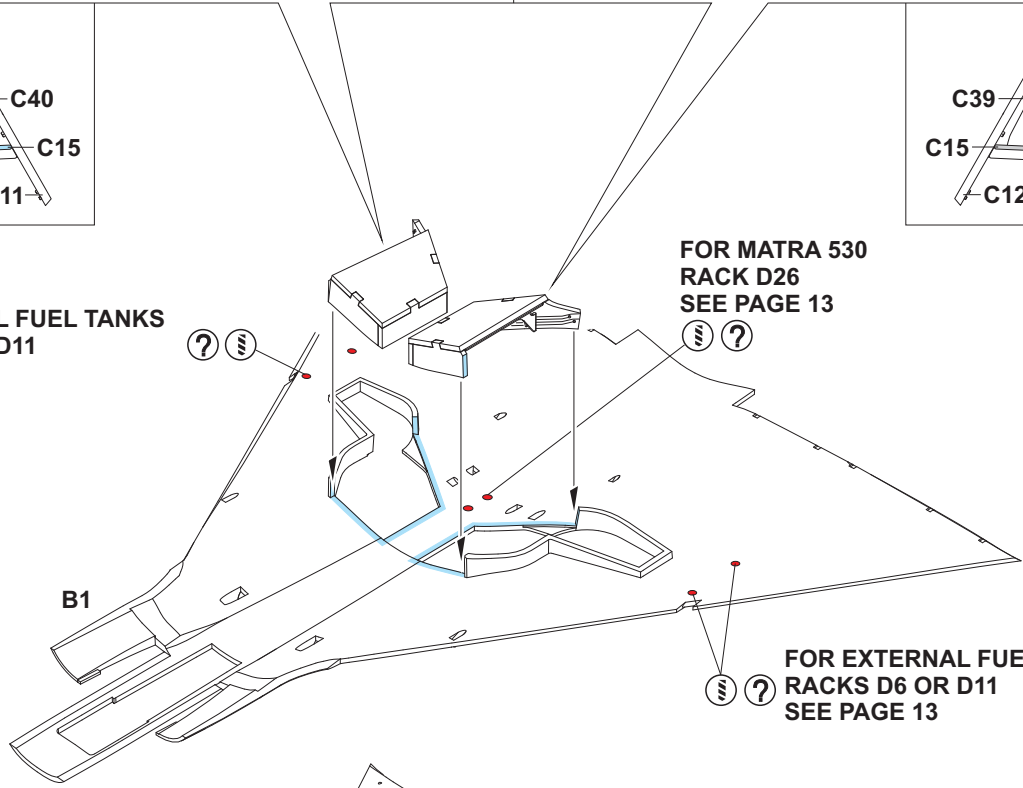


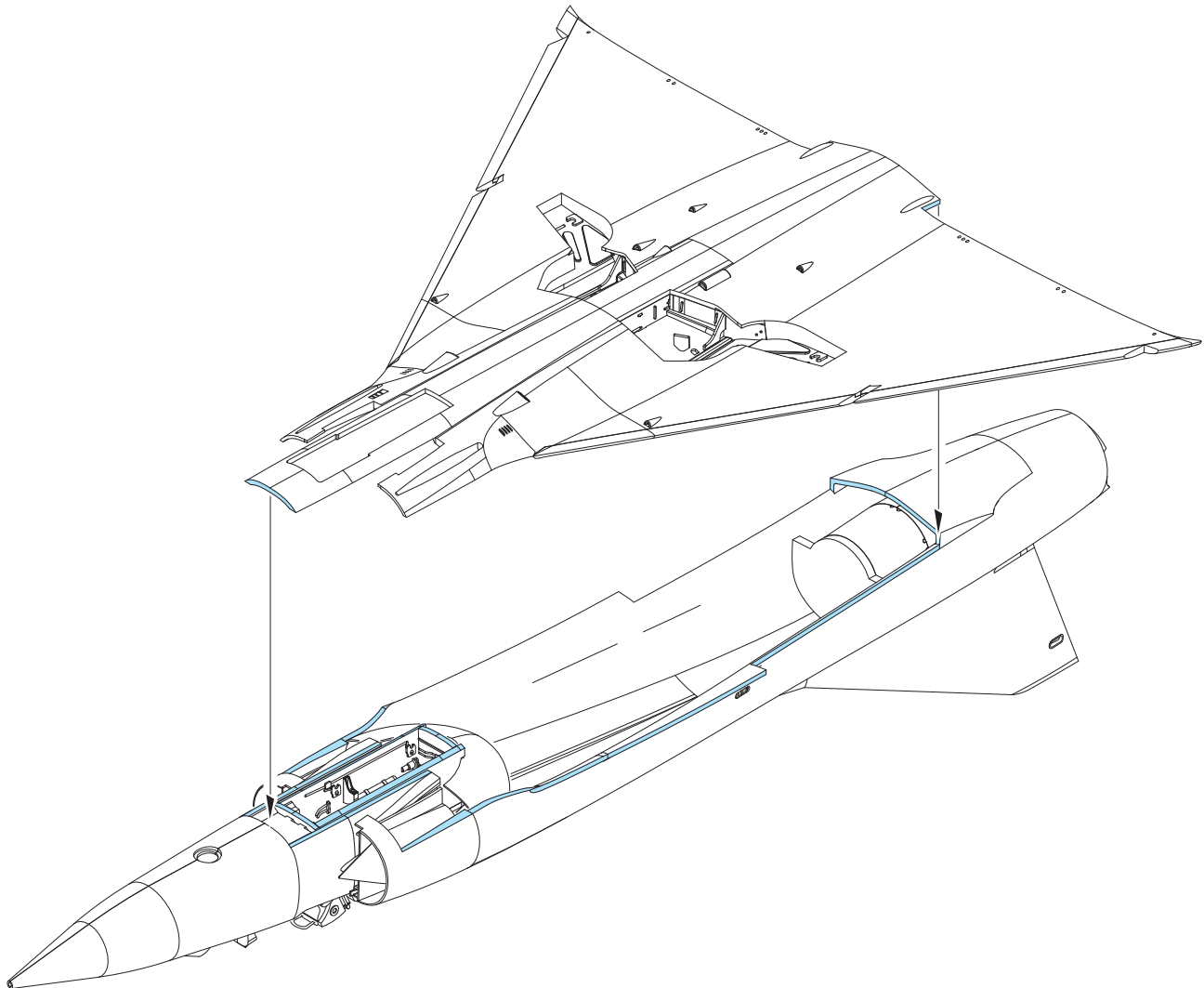
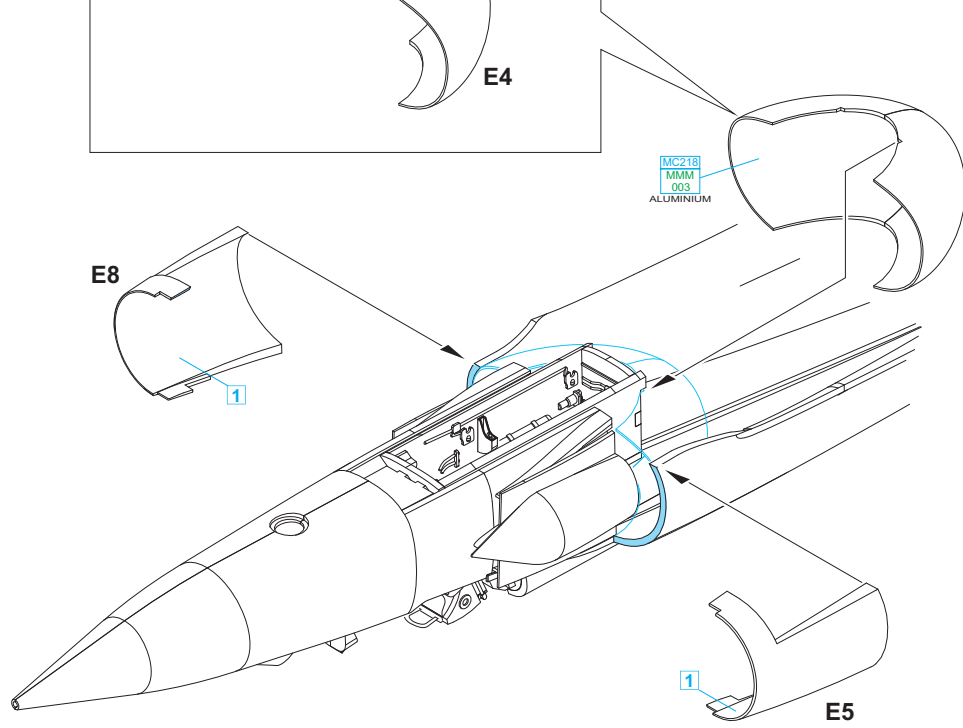
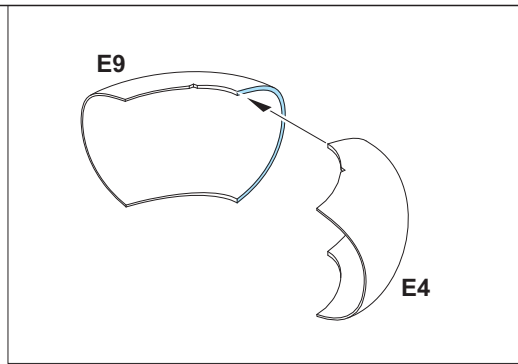


FOR EXTERNAL FUEL TANKS
RACKS D6 OR D11
SEE PAGE 13

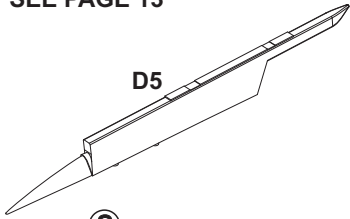
FOR MATRA 530
RACK D26
SEE PAGE 13

FOR EXTERNAL FUEL TANKS
RACKS D6 OR D11
SEE PAGE 13

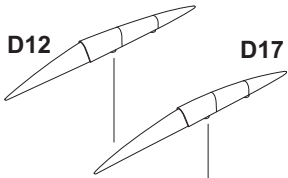




USE D5 FOR AIM-9D SIDEWINDER PART G2
OR MATRA 550 MAGIC TRAINER
SEE PAGE 13



USE D5 FOR AIM-9D SIDEWINDER PART G2
OR MATRA 550 MAGIC TRAINER
SEE PAGE 13



H3

D5

D17

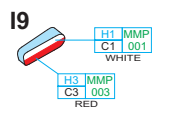
D12

C16

C16

C32

CLEAR FIX ? I9

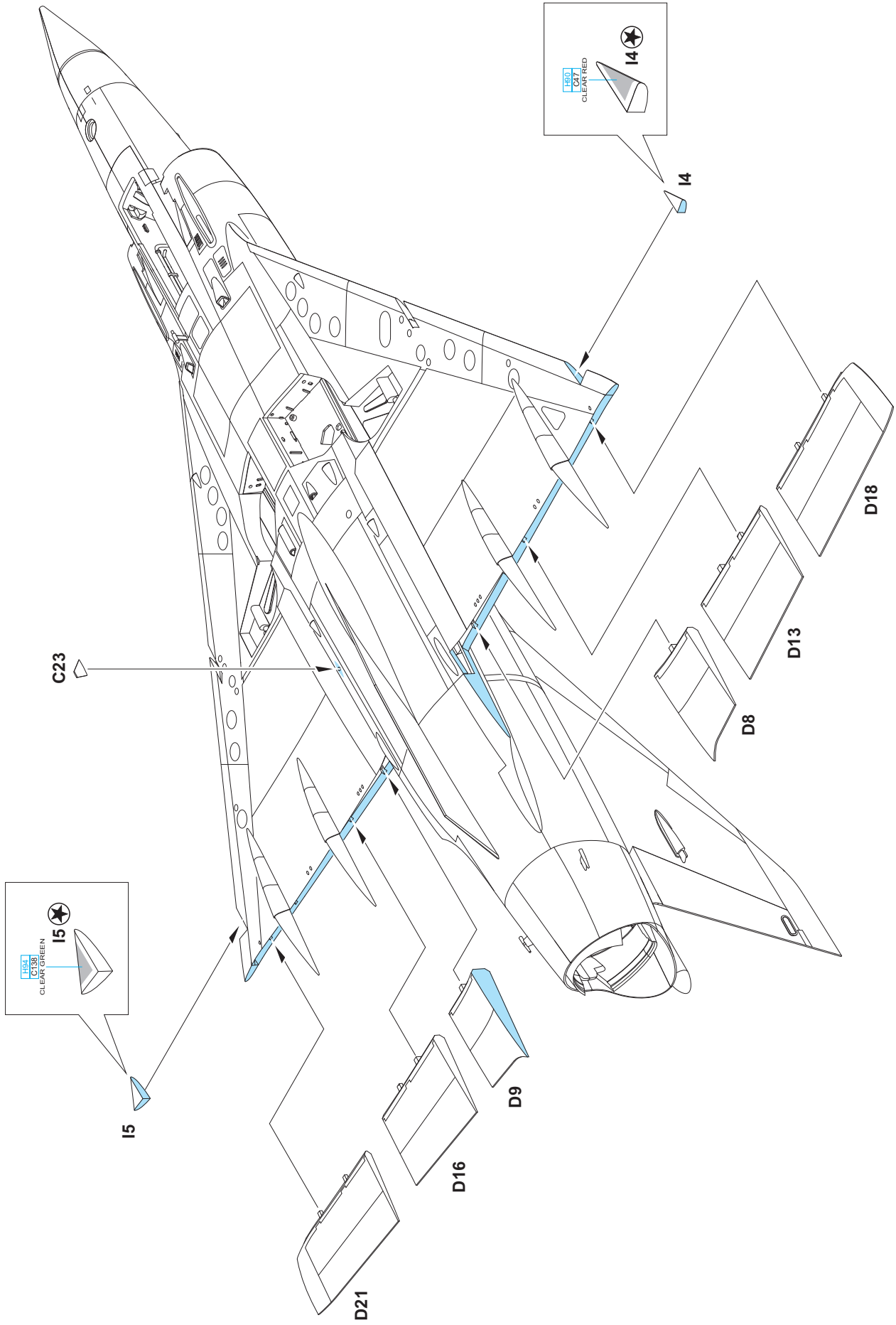


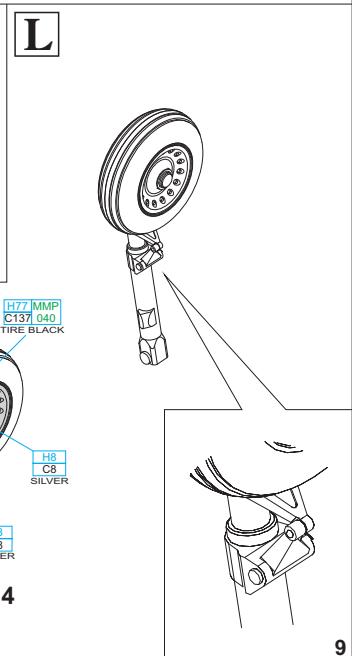
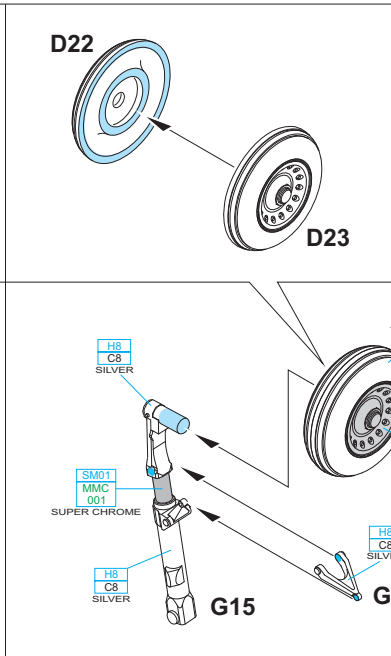
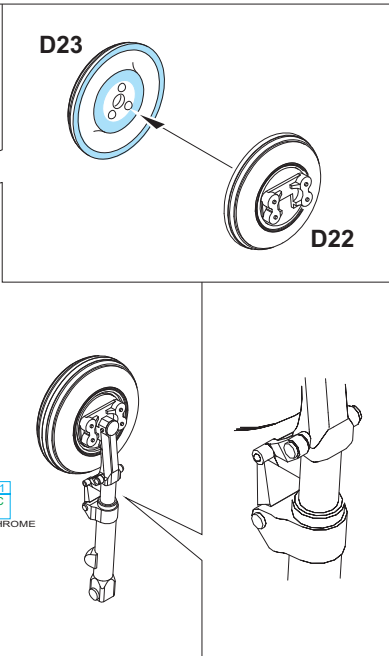
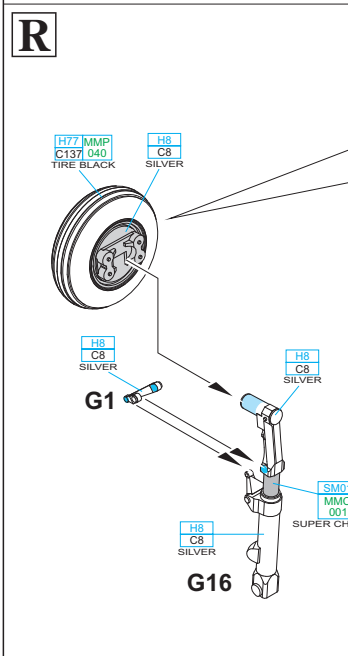
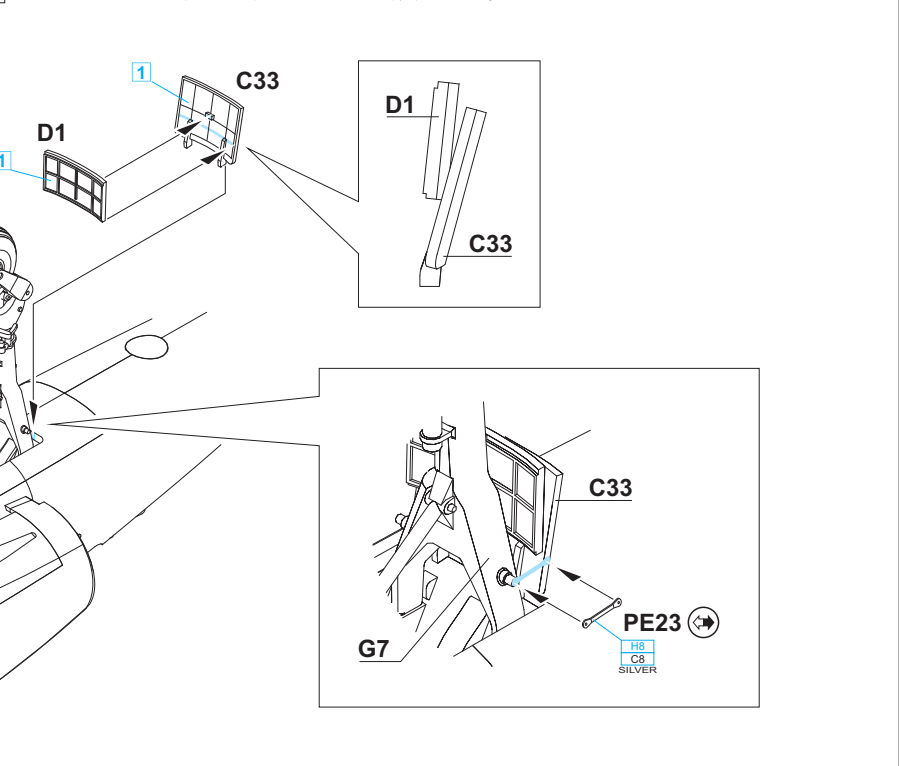
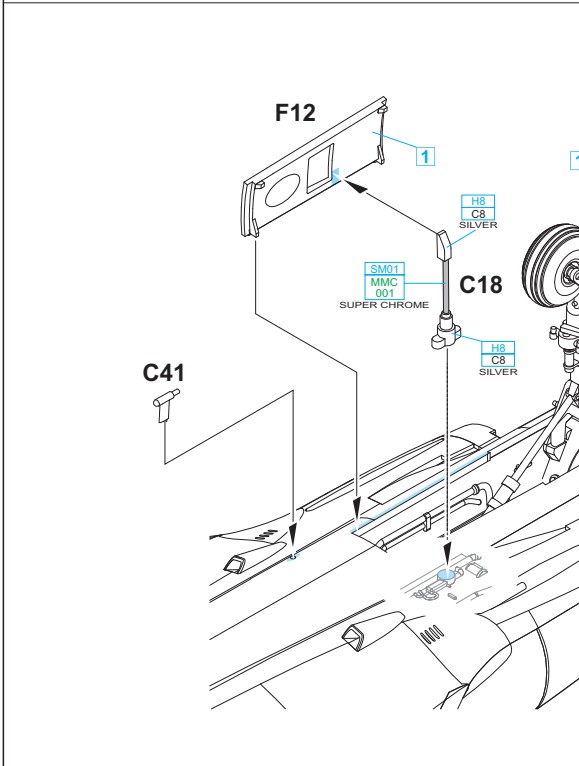
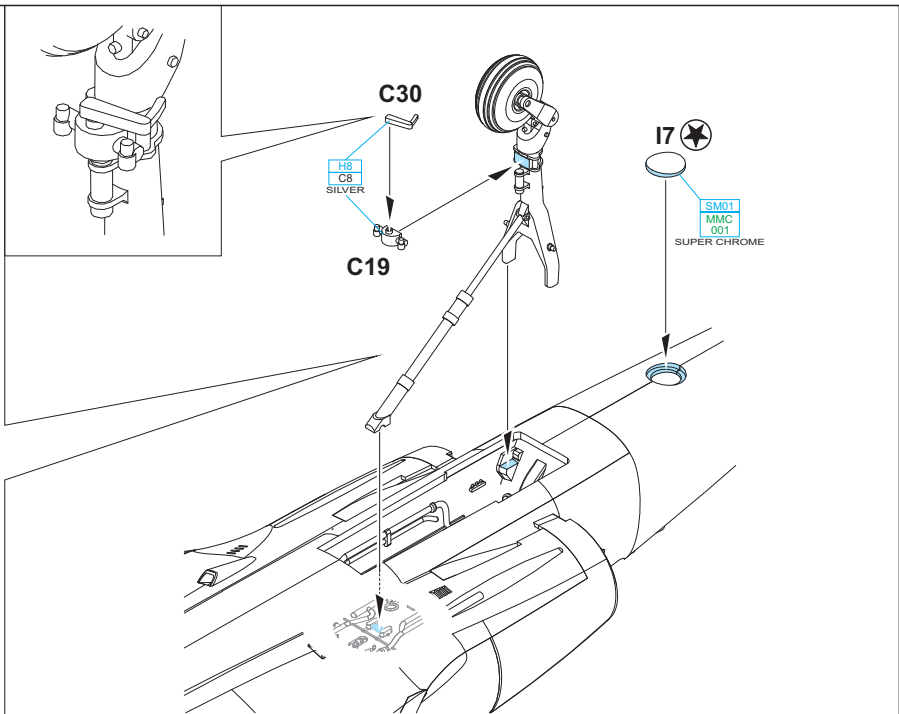
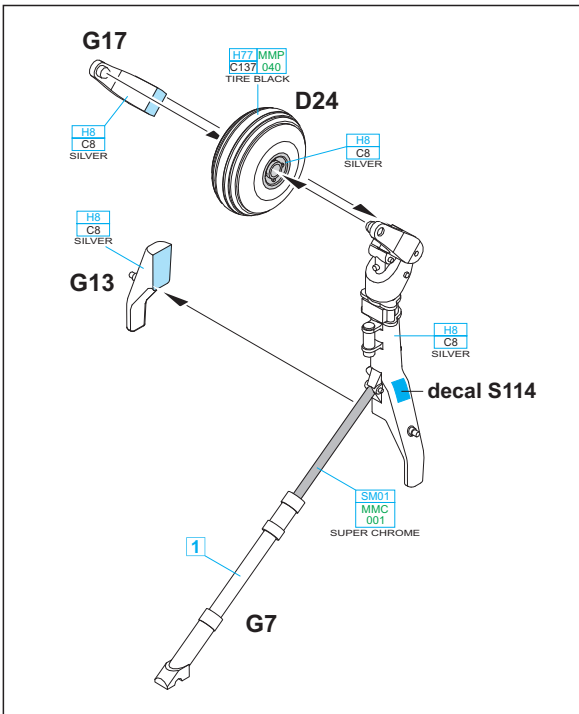
MC214
MMM
001
DARK IRON

G3

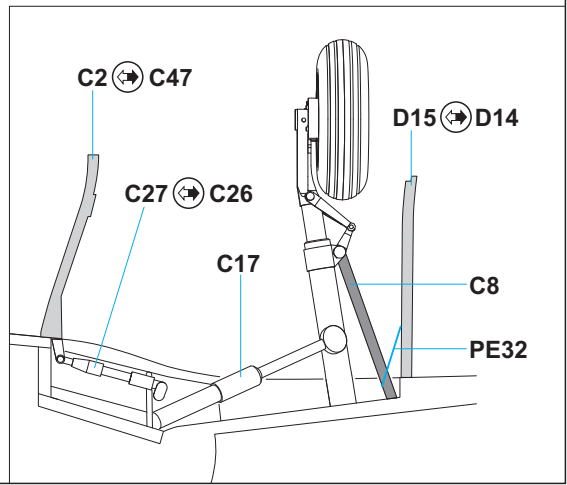
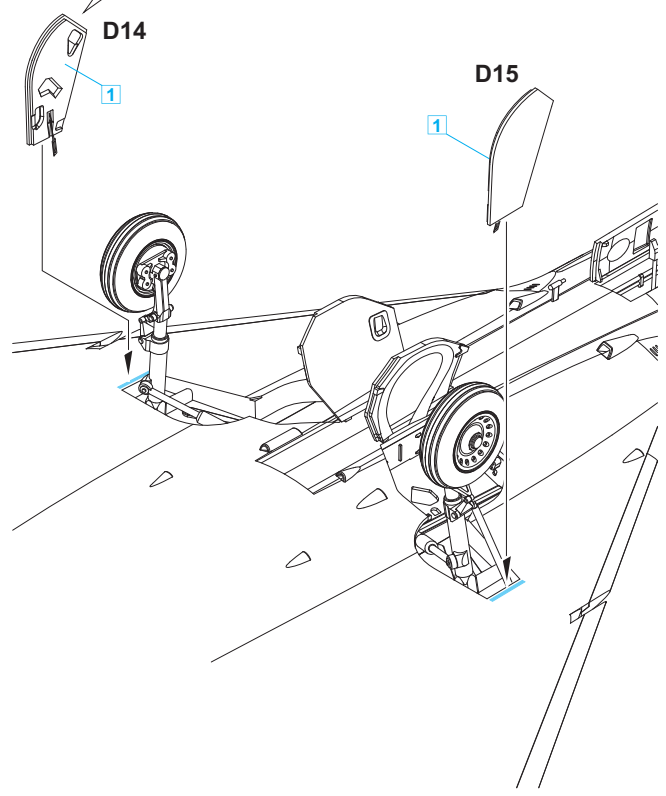
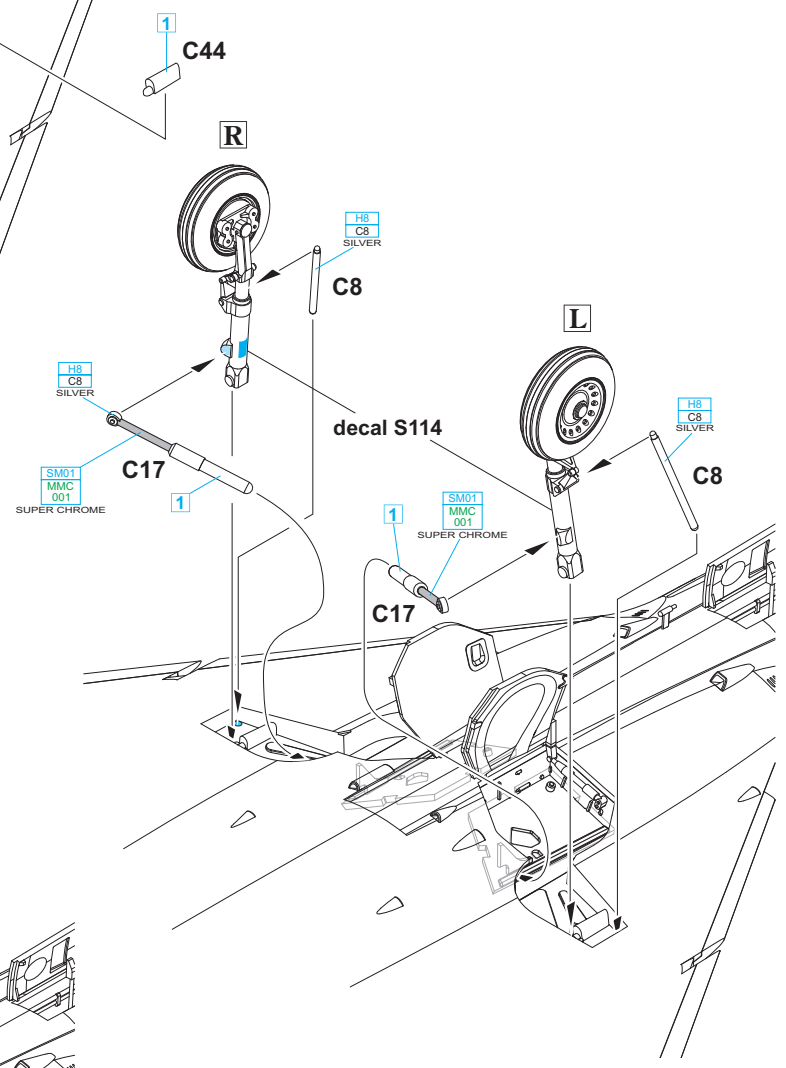
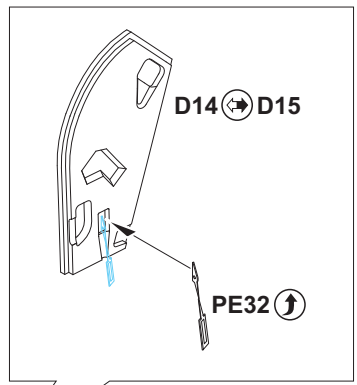
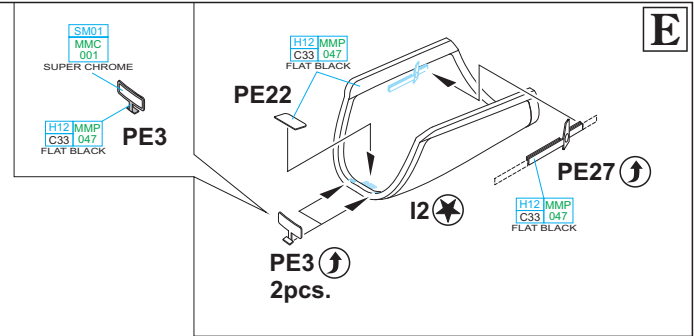
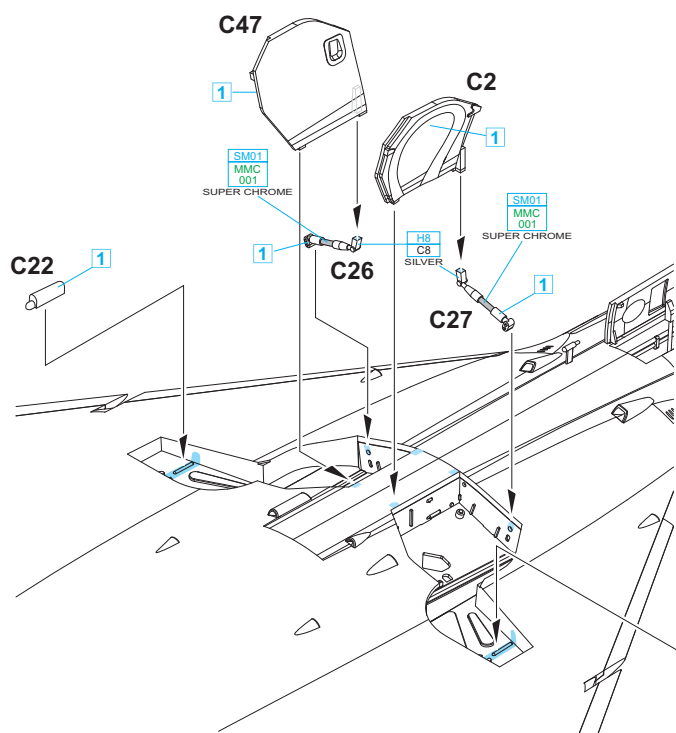
G3

MC214
MMM
001
DARK IRON





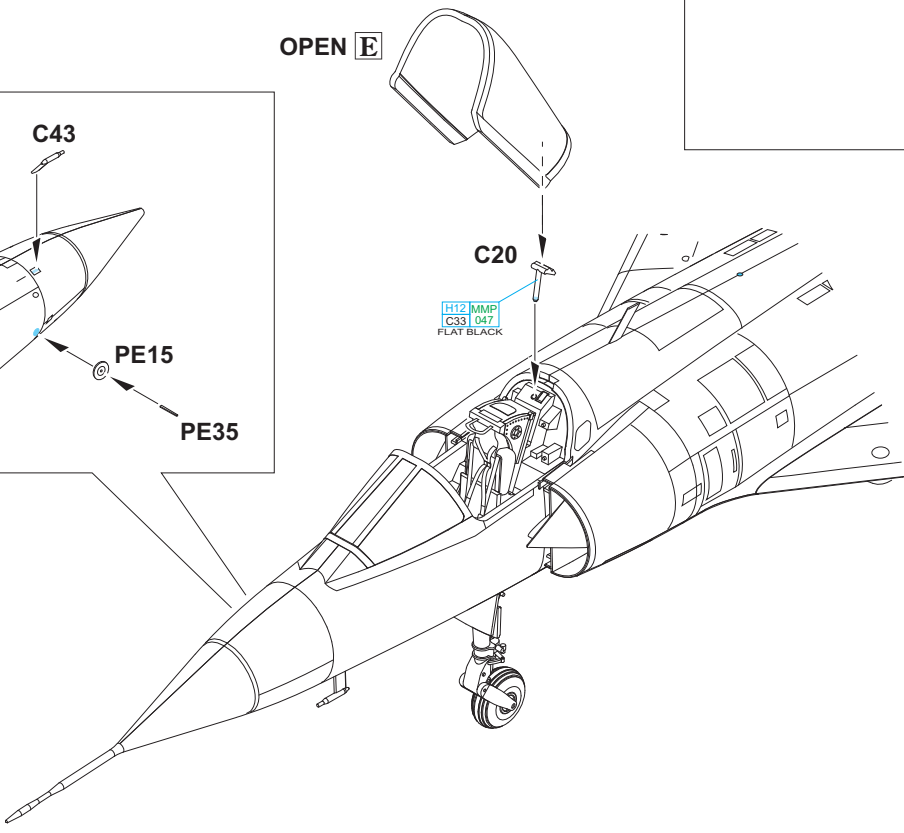
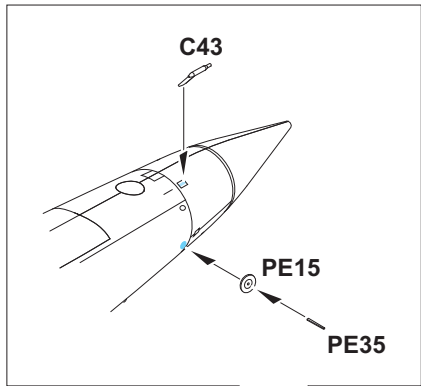
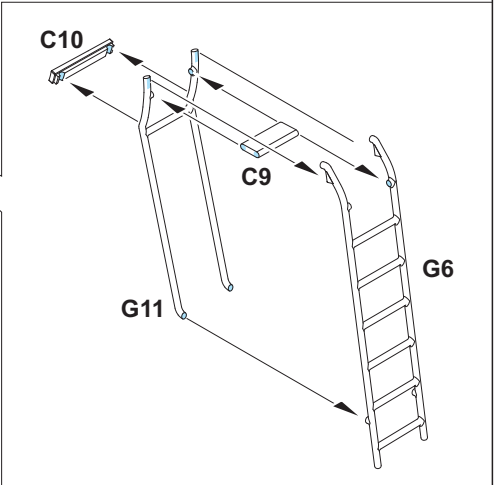
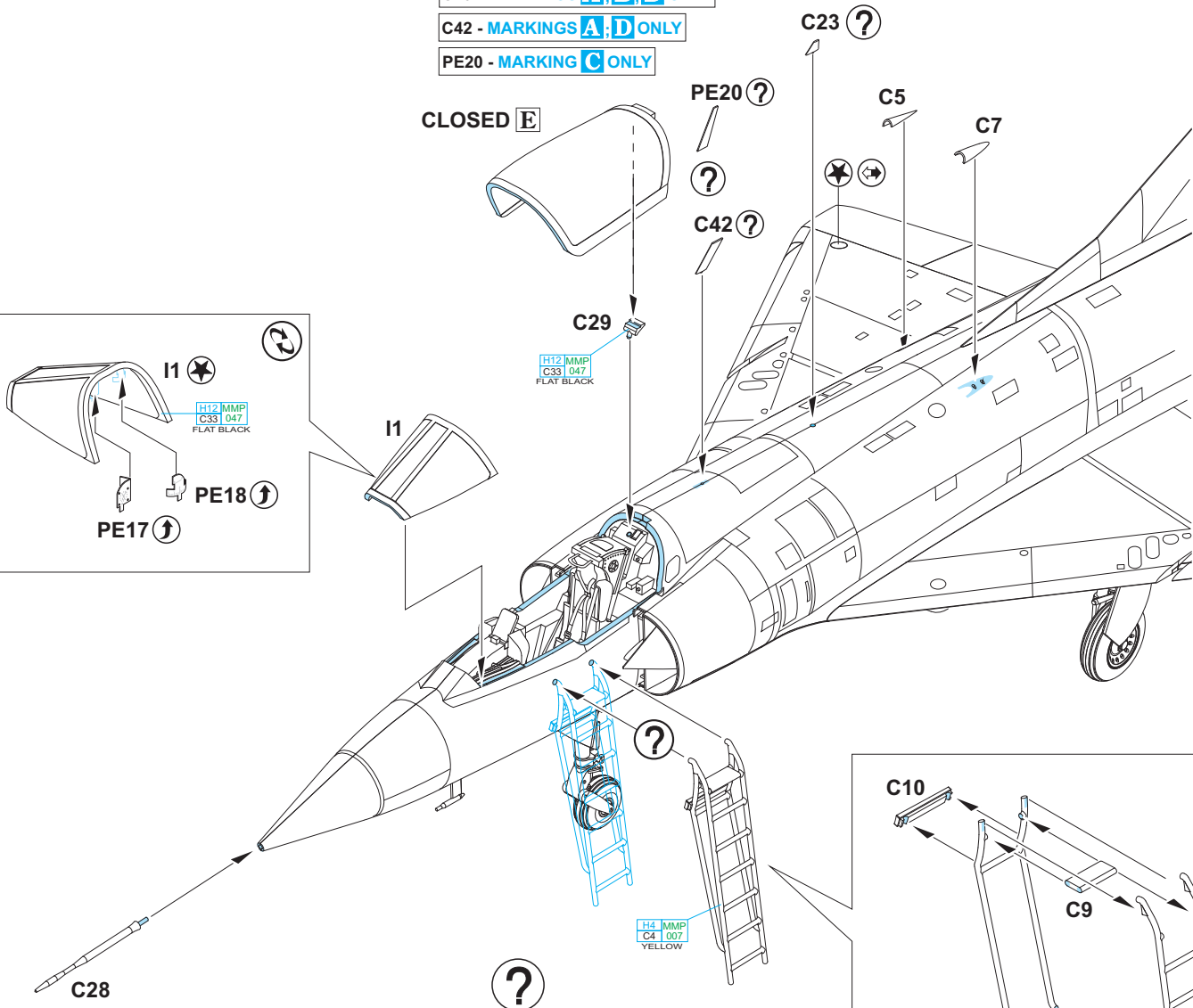
E



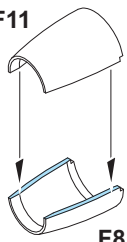
C23 - MARKINGS A; B; D ONLY

C42 - MARKINGS A; D ONLY

PE20 - MARKING C ONLY

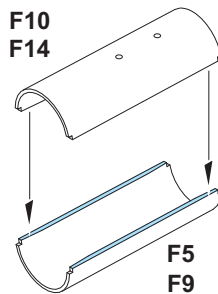
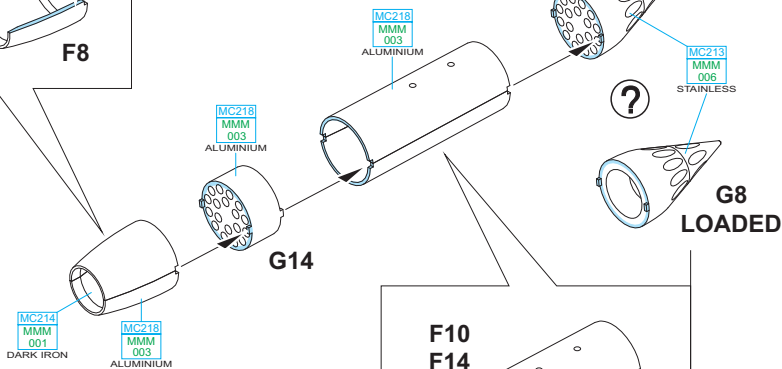


F11



F8

F ROCKET LAUNCHER JL 100R 2 pcs.



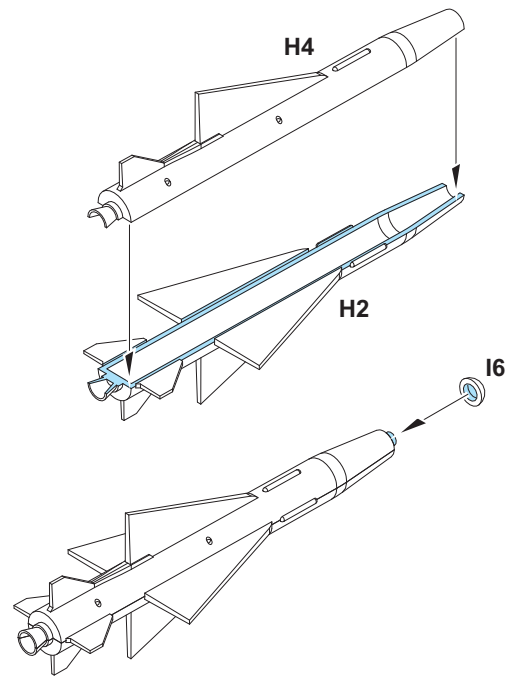
F10

F14

G8
LOADED

EMPTY
G5

G MATRA 530C,K

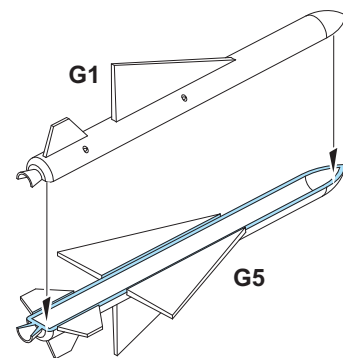


H4

H2

I6

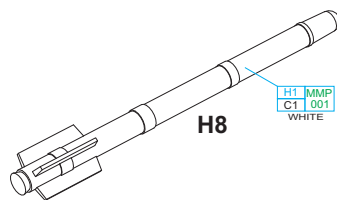
I MATRA 530E, M



G1

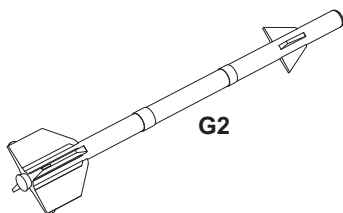
G5

H MATRA 550 MAGIC TRAINER 2 pcs.



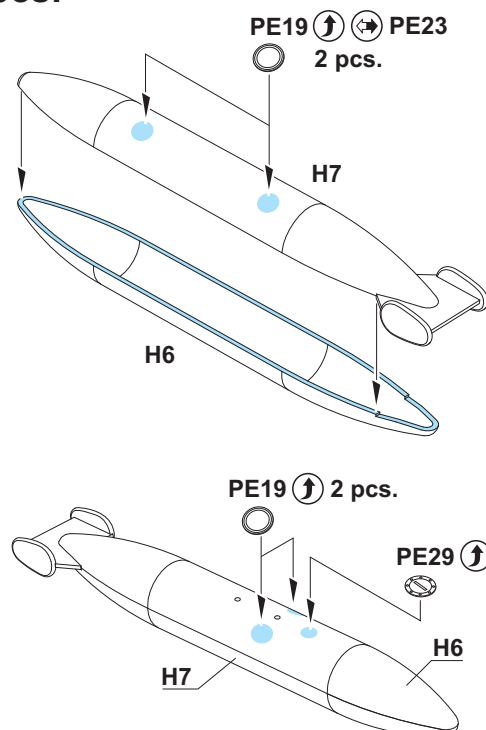
H8

J AIM-9D SIDEWINDER 2 pcs.



G2

K EXTERNAL FUEL TANK- 625I 2 pcs.



PE19 PE23
2 pcs.

H7

H6

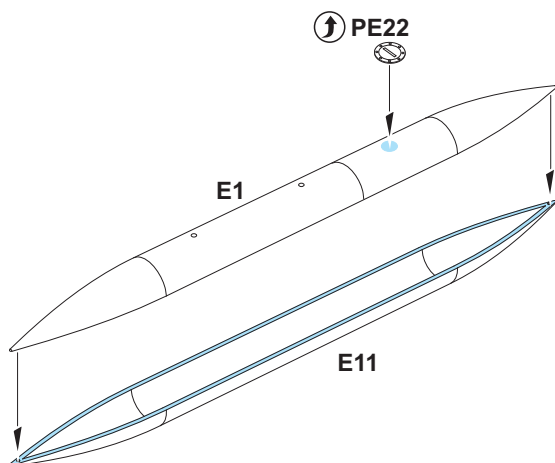
PE19 2 pcs.

PE29

H7

H6

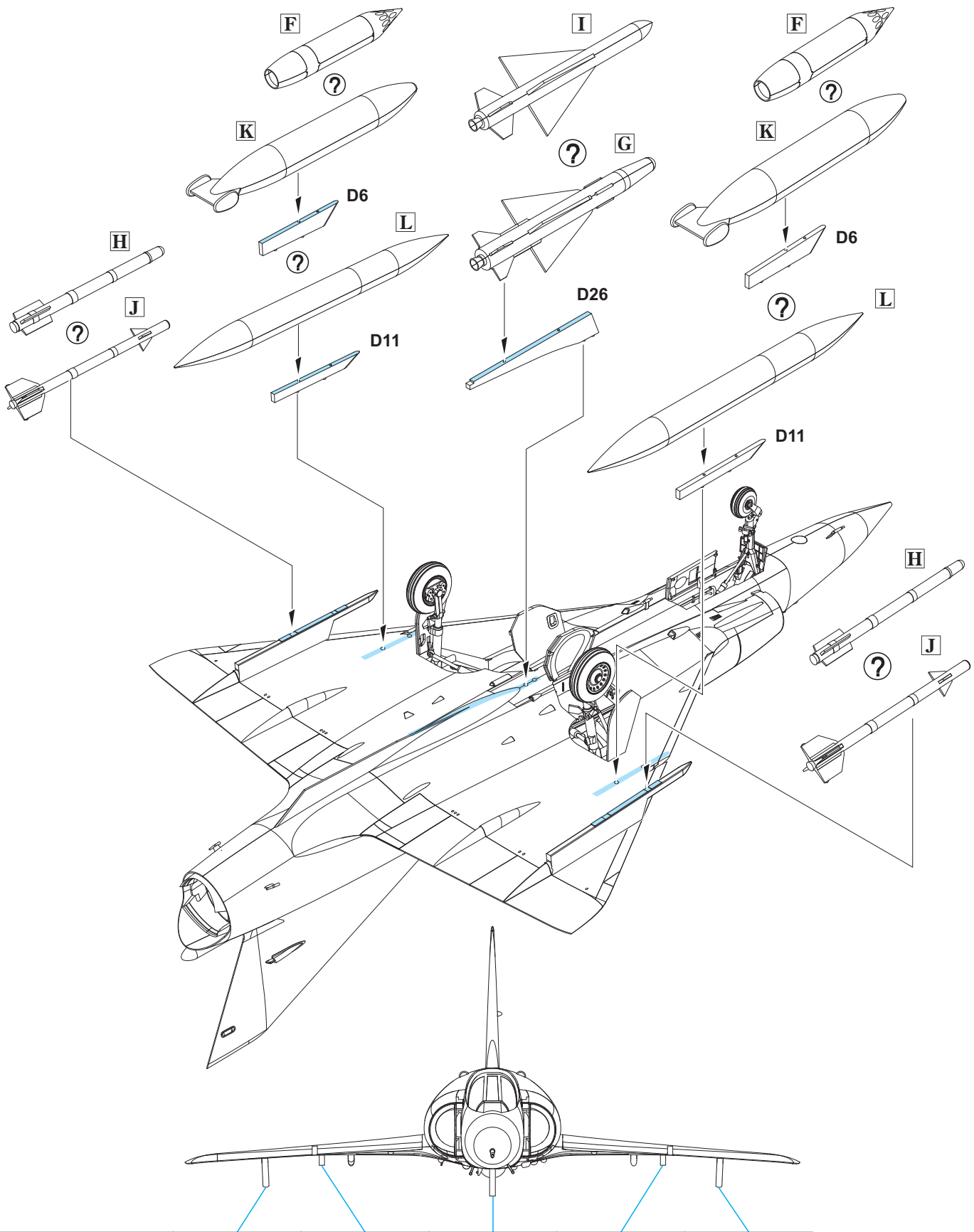
L EXTERNAL FUEL TANK- 500I 2 pcs.



PE22

E1

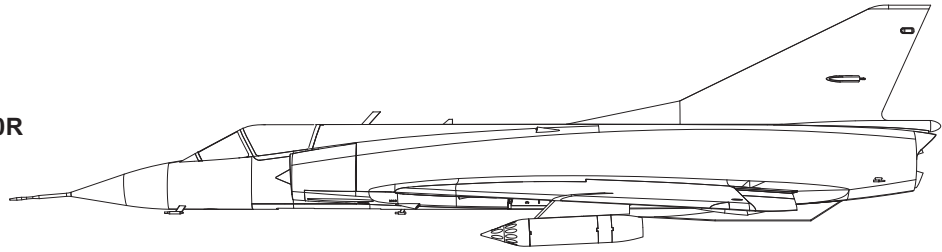
E11



MATRA 530C, K					
MATRA 530E, M					
FUEL TANK 500I					
FUEL TANK 625I					
ROCKET LAUNCHER JL 100R					
AIM-9D SIDEWINDER					
MATRA 550 MAGIC TRAINER					

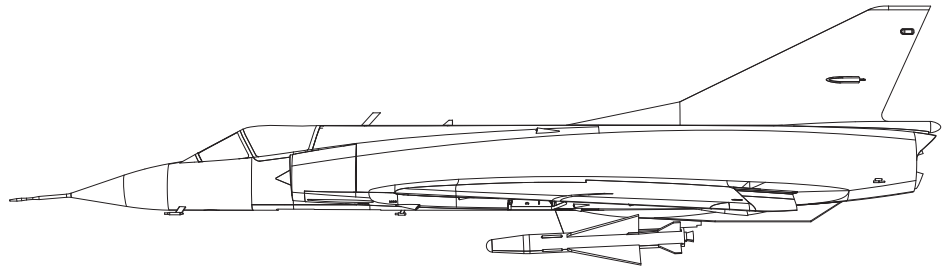
F

ROCKET LAUNCHER JL 100R



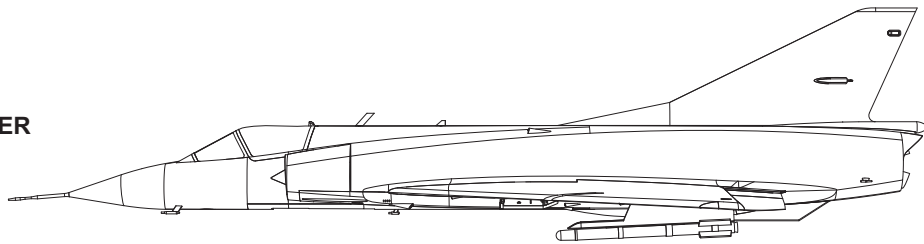
G

MATRA 530C, K



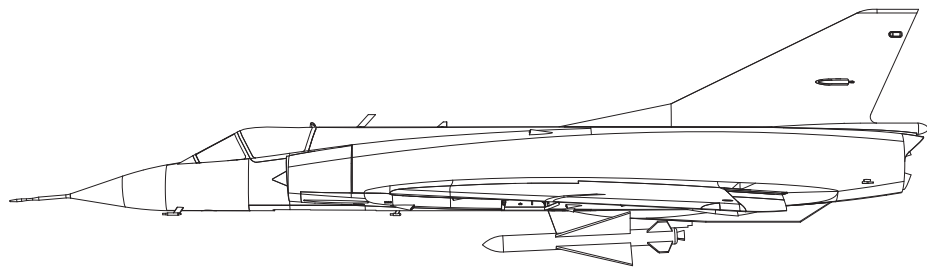
H

MATRA 550 MAGIC TRAINER



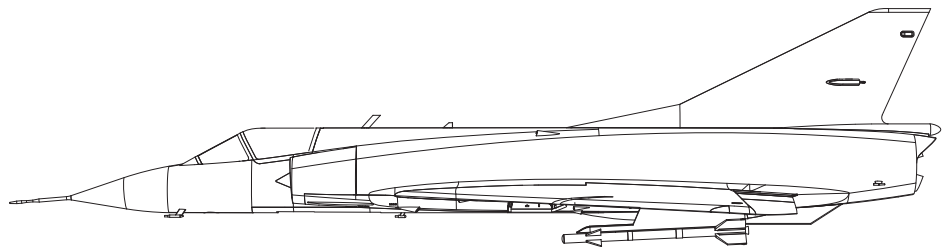
I

MATRA 530E, M



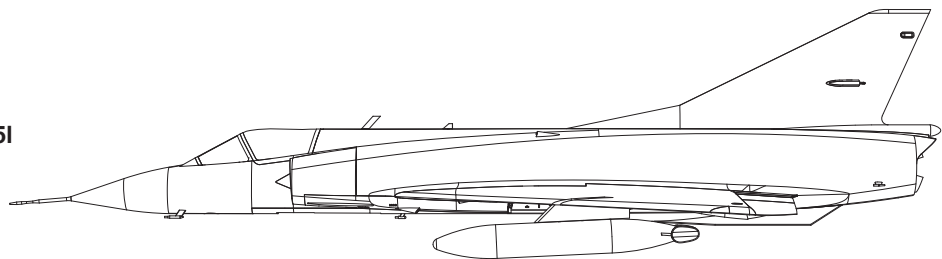
J

AIM-9D SIDEWINDER



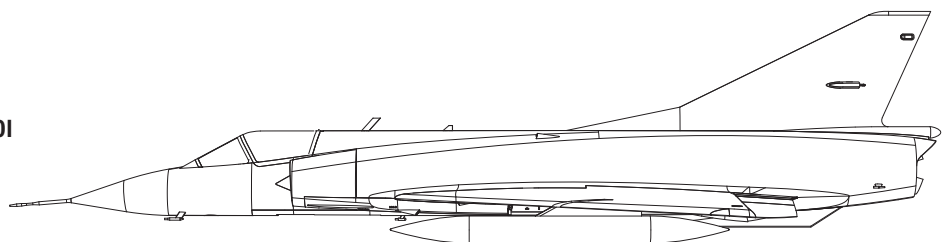
K

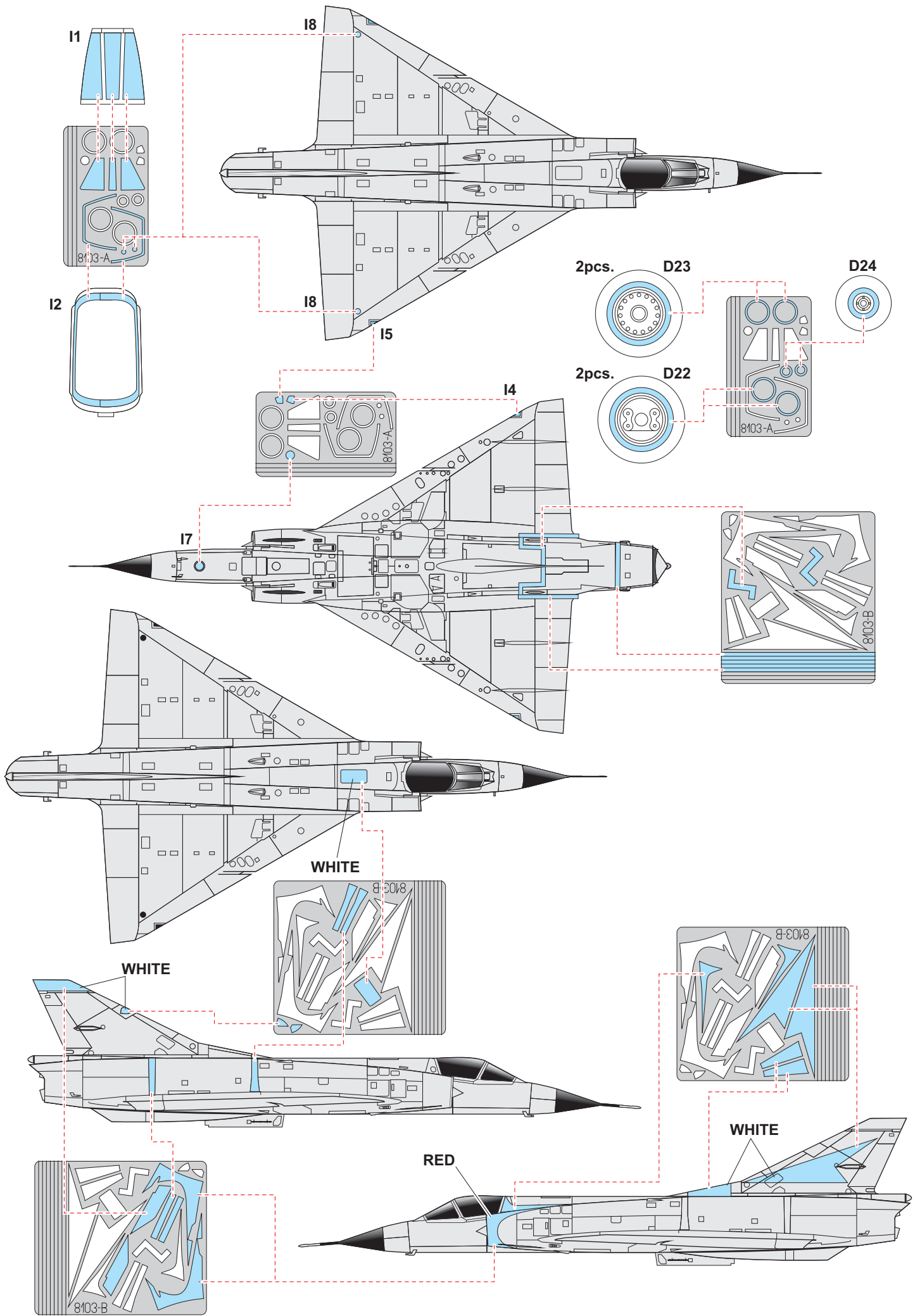
EXTERNAL FUEL TANK- 625I



L

EXTERNAL FUEL TANK- 500I

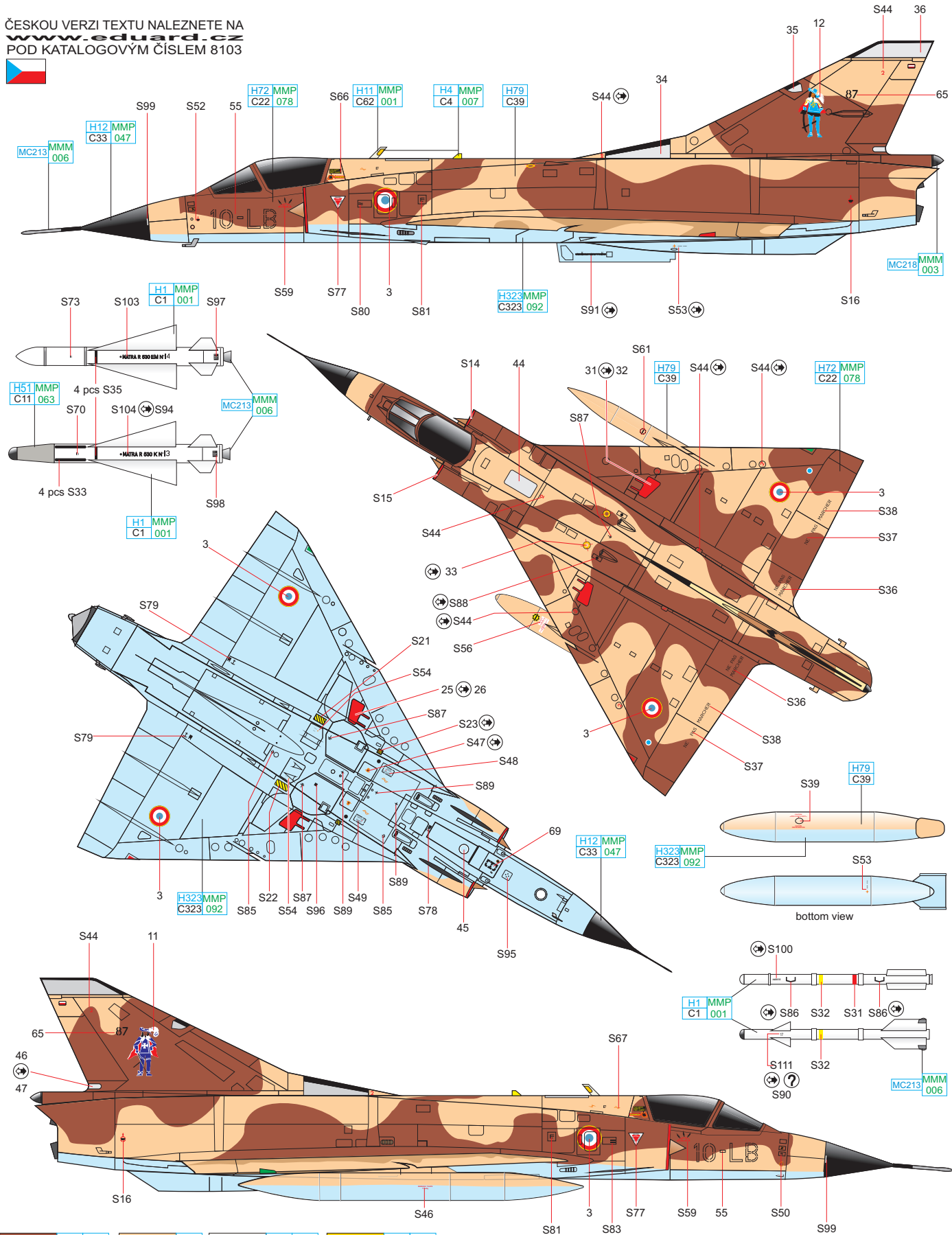




A Mirage IIC, No. 87, EC 3/10 Vexin, Détachement Air 188, Armée de l' Air, Djibouti, October 1984

On September 1st, 1978, EC 3/10 was formed and adopted from the previous units (ERC 3 and 4/561) the tradition in applying The Musketeer tail marking. The first unit's task was to replace EC 4/11 unit flying F-100 at the Djibouti airbase in the West Africa. First Mirage IIC belonging to EC 3/10 appeared at the Djibouti airport in the second half of November 1978. Escadron de chasse 3/10 didn't cease the operation alongside the other squadrons of the 10e Escadre de chasse, it continued flying until August 1988 when it was finally disbanded. The aircraft flown on the African continent were camouflaged on the upper and side surfaces in the dark earth and sand colors for more effective concealment. The EC 3/10 tail marking is present – The Musketeer.

ČESKOU VERZI TEXTU NALEZNETE NA
www.eduard.cz
 POD KATALOGOVÝM ČÍSLEM 8103



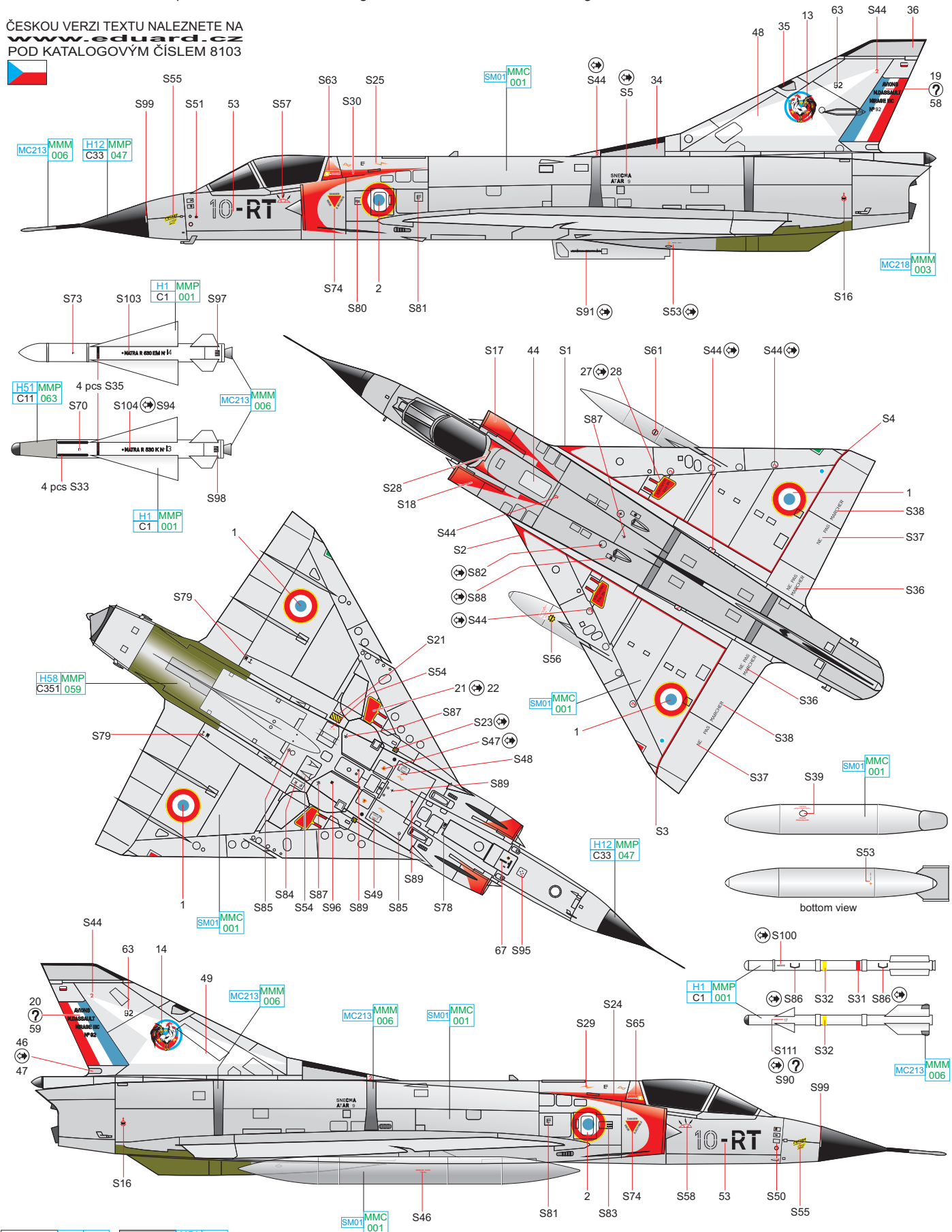
DARK EARTH	H72 MMP C22 078	SANDY YELLOW	H79 C39	WHITE	H11 MMP C62 001	YELLOW	H4 MMP C4 007
STEEL	MC213 MMM 006	ALUMINIUM	MC218 MMM 003	LIGHT BLUE	H323 MMP C323 092	BLACK	H12 MMP C33 047
							WHITE
							H1 MMP C1 001
							GRAY
							H51 MMP C11 063



B Mirage IIIC, No. 92, EC 2/10 Seine, Armée de l' Air, BA 120 Cazaux, France, April 1976

On February 1st, 1951, the 10e escadre de chasse was formed in Villacoublay consisting of 1/10, 2/10 and 3/10 escadrons equipped with F-47 Thunderbolt fighters and MS.472 trainers. On June 1st, 1954 this unit was temporarily disbanded. Two escadrons (1/10 Parisis and 2/10 Seine) of the newly-formed 10e escadre de chasse were formed in the second half of 1954 at Creil airbase. Escadron de chasse 2/10 was equipped with Mystere which were replaced by Mirage IIIC in the end of 1968. As of May 31st, 1985, EC 2/10 was disbanded alongside the whole 10. Fighter Wing. The aircraft nr.92 flew during this period in the natural metal finish complimented with the red markings. It carried the EC 2/10 unit marking on the vertical tail surface.

ČESKOU VERZI TEXTU NALEZNETE NA
www.eduard.cz
 POD KATALOGOVÝM ČÍSLEM 8103

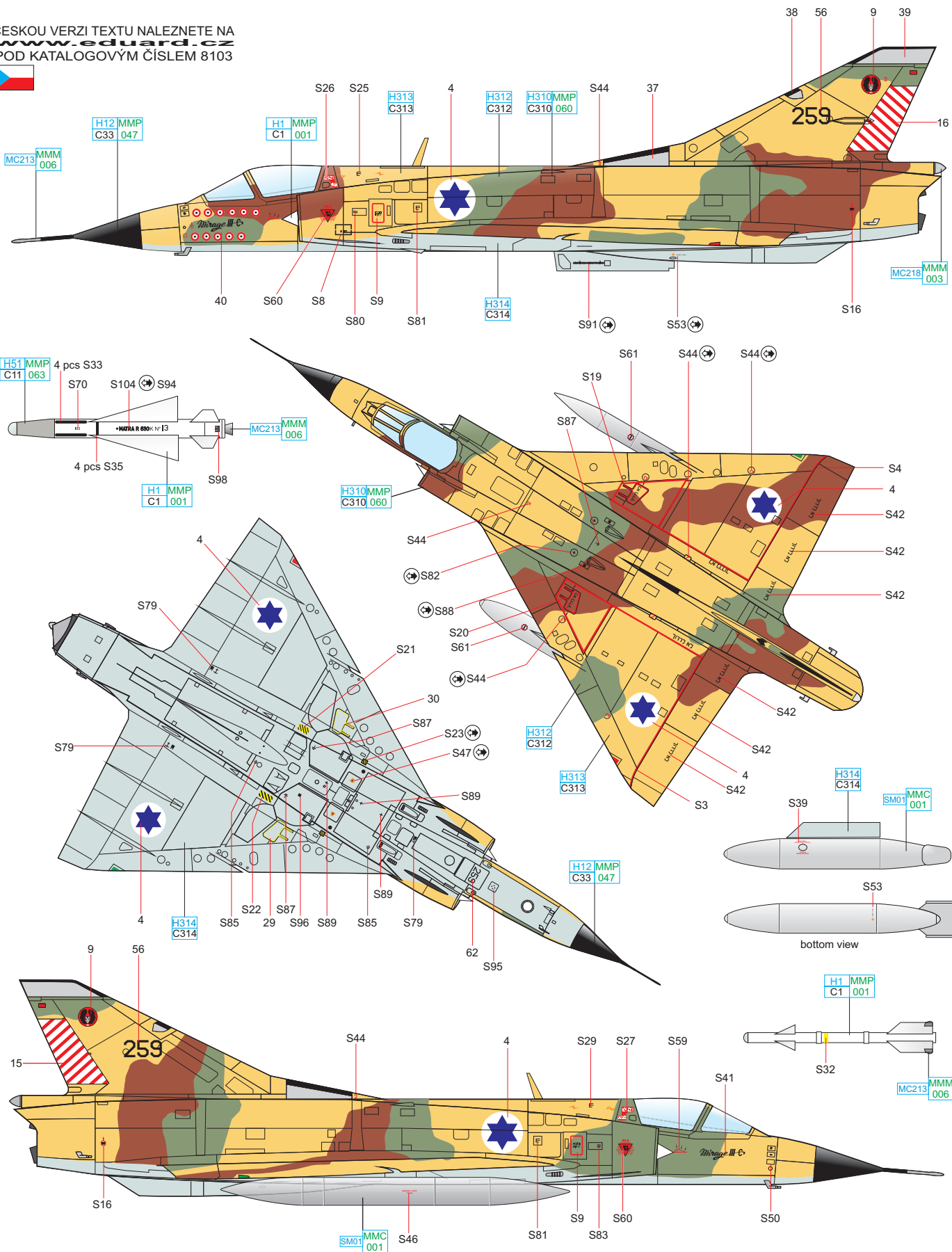


WHITE	H1 MMP C1 001	GRAY	H51 MMP C11 063
SUPER CHROME	SM01 MMC 001	STEEL	MC213 MMM 006
		ALUMINIUM	MC218 MMM 003
		INTERIOR GREEN	H58 MMP C351 059
		BLACK	H12 MMP C33 047

C Mirage IIC, No. 259 (ex 59), Tayeset 101, Hatzor Air Base, Israel, 1971

One of two most successful Israeli Mirages IIC, credited with 13 kills, changed appearance over the time. Here it's depicted as it appeared in July 1971, sporting 11 kills so far. The remaining 2 kills were scored in 1973. In 1971 Mirage IIC nr.259 flew in the standard Israeli Air Force camouflage, under surfaces were in light blue, upper and side surfaces were painted in green, brown and sand colors. The aircraft carries Tajeset 101 tail marking.

ČESKOU VERZI TEXTU NALEZNETE NA www.eduard.cz POD KATALOGOVÝM ČÍSLEM 8103



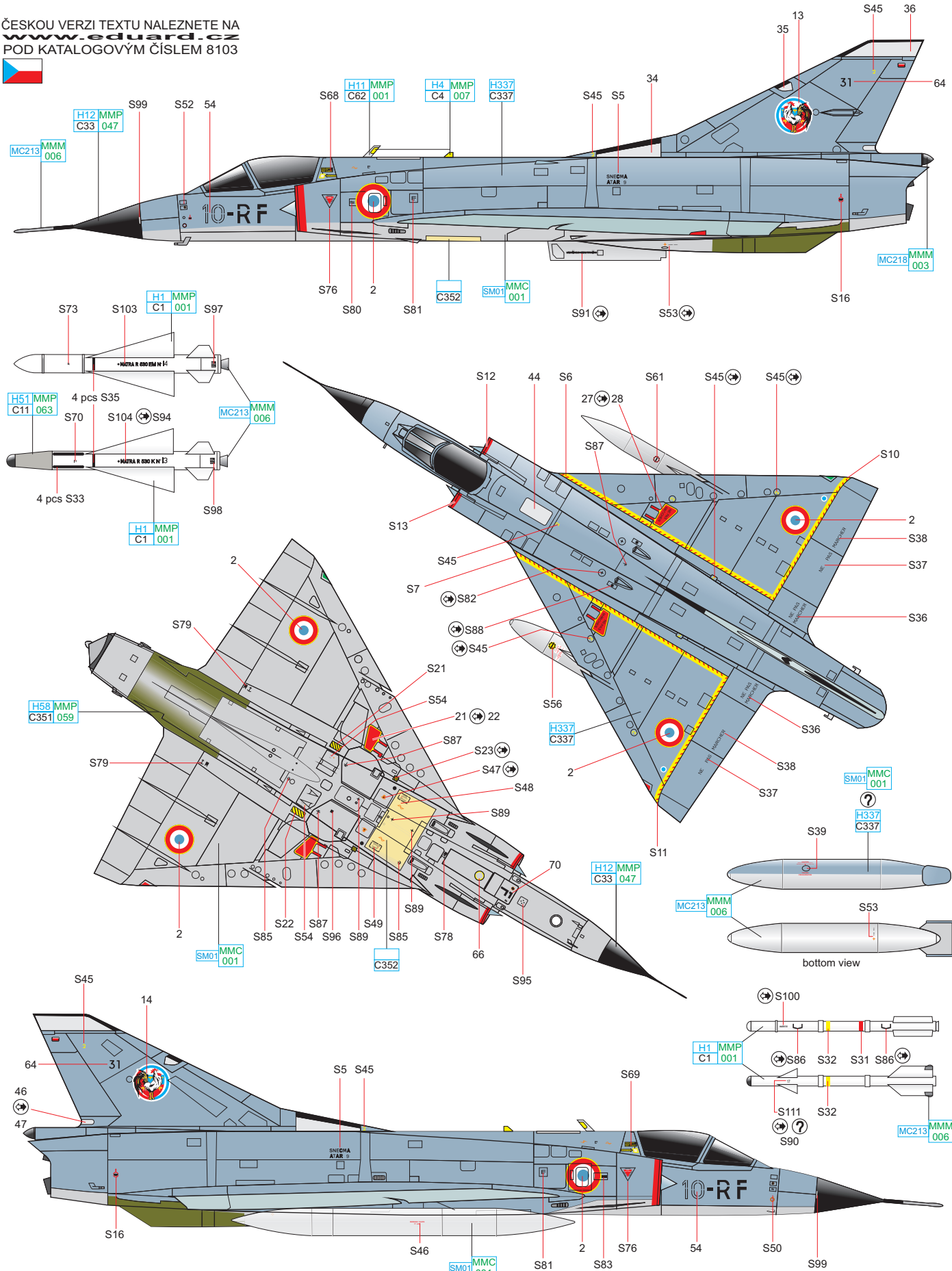
BLACK	H12 MMP C33 047	WHITE	H1 MMP C1 001	GRAY	H51 MMP C11 063
SUPER CHROME	SM01 MMC 001	STEEL	MC213 MMM 006	ALUMINIUM	MC218 MMM 003
		BLUE	H314 C314	YELLOW	H313 C313
				GREEN	H312 C312
				BROWN	H310MMP C310 060



D Mirage IIC, No. 31, EC 2/10 Seine, Armée de l' Air, BA 110 Creil, France, May 1978

The aircraft from the same unit as on color profile B, this time it's camouflaged on the top and side surfaces in gray-blue color.

ČESKOU VERZI TEXTU NALEZNETE NA
www.eduard.cz
POD KATALOGOVÝM ČÍSLEM 8103

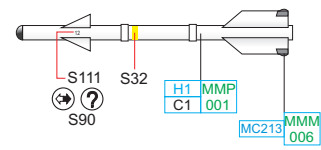
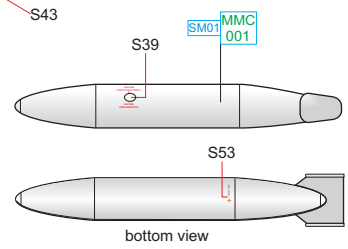
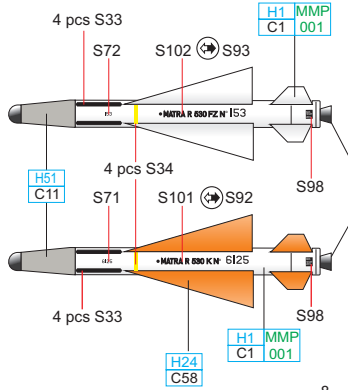
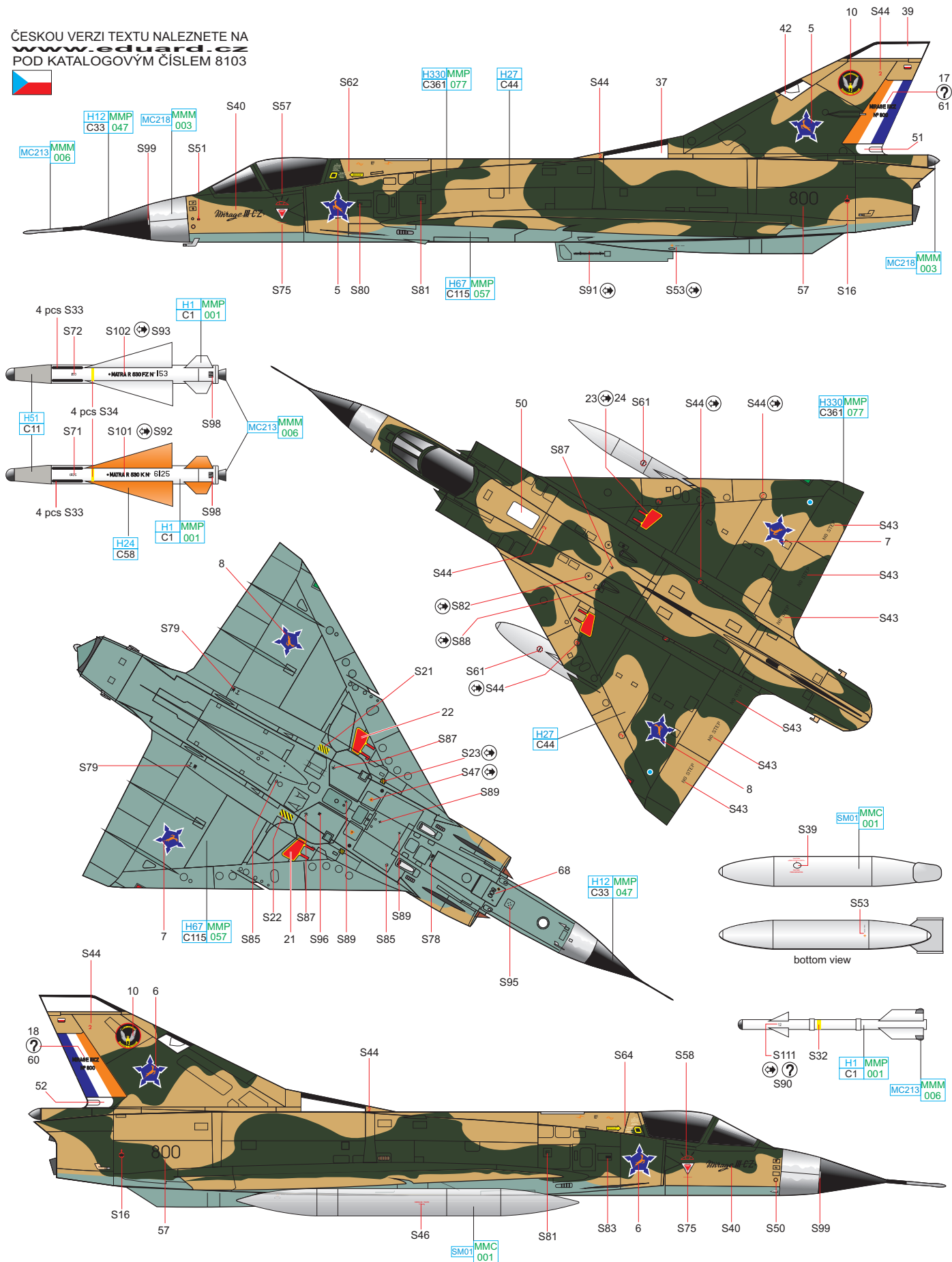


GRAYISH BLUE H337 C337	WHITE H11 MMP C62 001	YELLOW CHROMATE C352	YELLOW H4 MMP C4 007	GRAY H51 MMP C11 063
SUPER CHROME SM01 MMC 001	STEEL MC213 MMM 006	STEEL MC218 MMM 003	INTERIOR GREEN H58 MMP C351 059	BLACK H12 MMP C33 047
WHITE H1 MMP C1 001				

E Mirage IICZ, No. 800, No. 2 Squadron SAAF, Waterkloof Air Base, Republic of South Africa, 1982

No. 2 squadron of the South African Air Force, unit with the rich history and with which SAAF airmen never missed any combat mission, was equipped with Mirage IICZ aircraft in 1963. It operated them until 1990 when they were replaced by home-designed Atlas Cheetah, based on the Mirage III concept though.

ČESKOU VERZÍ TEXTU NALEZNETE NA
www.eduard.cz
 POD KATALOGOVÝM ČÍSLEM 8103



DARK GREEN	H330 MMP C361 077	TAN	H27 C44	ORANGE	H24 C58	GRAY	H51 C11
SUPER CHROME	SM01 MMC 001	STEEL	MC213 MMM 006	ALUMINIUM	MC218 MMM 003	LIGHT BLUE	H67 MMP C115 057
						BLACK	H12 MMP C33 047
						WHITE	H1 MMP C1 001

