

8479

Bf 108

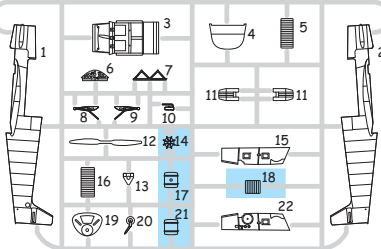
WEEKEND

1/48

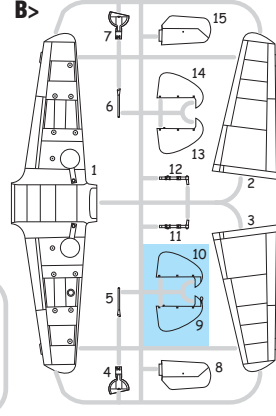
edition

PLASTIC PARTS

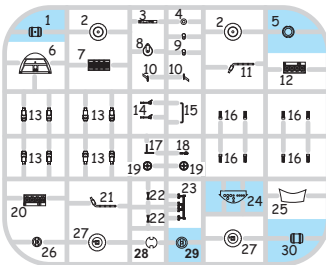
A>



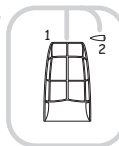
B>



C>



D>



GUNZE		MISSION MODELS	
H2	C2	MMP-047	BLACK
H11	C62	MMP-001	FLAT WHITE
H12	C33	MMP-047	FLAT BLACK
H15	C65		BRIGHT BLUE
H47	C41	MMP-012	RED BROWN
H70	C60	MMP-056	GRAY
H77	C137	MMP-047	TIRE BLACK
H324	C324	MMP-116	LIGHT GRAY
H444	C114	MMP-003	RED
			RLM23
METALS		METALLICS	
MC218	MMM-003	ALUMINIUM	
MC219	MMM-009	BRASS	
METALS		METALLICS	
SM01	MMC-001	SUPER CHROME	

 -Parts not for use. -Teile werden nicht verwendet. -Pièces à ne pas utiliser. -Tyto díly nepoužívejte při stavbě. - 使用しない部品

ATTENTION * UPOZORNĚNÍ * ACHTUNG * ATTENTION

(GB)

Carefully read instruction sheet before assembling. When you use glue or paint, do not use near open flame and use in well ventilated room. Keep out of reach of small children. Children must not be allowed to suck any part, or pull vinyl bag over the head.

(CZ)

Před započítím stavby si pečlivě prostudujte stavební návod. Při používání barev a lepidel pracujte v dobře větrané místnosti. Lepidla ani barvy nepoužívejte v blízkosti otevřeného ohně. Model není určen malým dětem, mohlo by dojít k požití drobných dílů.

(D)

Vor dem Zusammenbau die Bauanleitung gut durchlesen. Kleber und Farben nicht in der Nähe von offenem Feuer verwenden und für eine ausreichende Belüftung sorgen. Den Bausatz von kleinen Kindern fernhalten. Vermeiden Sie, dass Kinder Bauteile in den Mund nehmen oder sich Plastiktüten über den Kopf ziehen.

(F)

lire soigneusement la fiche d'instructions avant d'assembler. Ne pas utiliser de colle ou de peinture à proximité d'une flamme nue, et aérer la pièce de temps en temps. Garder hors de portée des enfants en bas âge. Ne pas laisser les enfants mettre en bouche ou sucer les pièces, ou passer un sachet vinyle sur la tête.

INSTRUCTION SIGNS * INSTR. SYMBOLS * INSTRUKTION SINNBILDEN * SYMBOLES


OPTIONAL
VOLBA

BEND
OHNOUT

SAND
BROUSIT

OPEN HOLE
VYVRTAT OTVOR

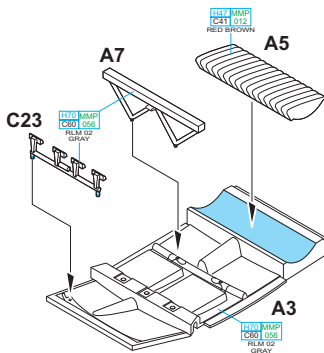
SYMMETRICAL ASSEMBLY
SYMETRICKÁ MONTÁŽ

REMOVE
ODRÍZNOUT

REVERSE SIDE
OTOČIT

APPLY EDUARD MASK
AND PAINT
POUŽÍT EDUARD MASK
NABARVIT

8479 - NAV1



A 2 pcs.

C14

11120 MMP (C26) 047 FLAT BLACK

11120 MMP (C26) 056 RLM 02 GRAY

11120 MMP (C26) 047 FLAT BLACK

B 2 pcs.

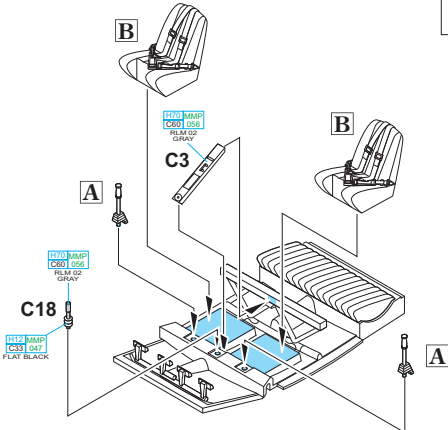
decal 33

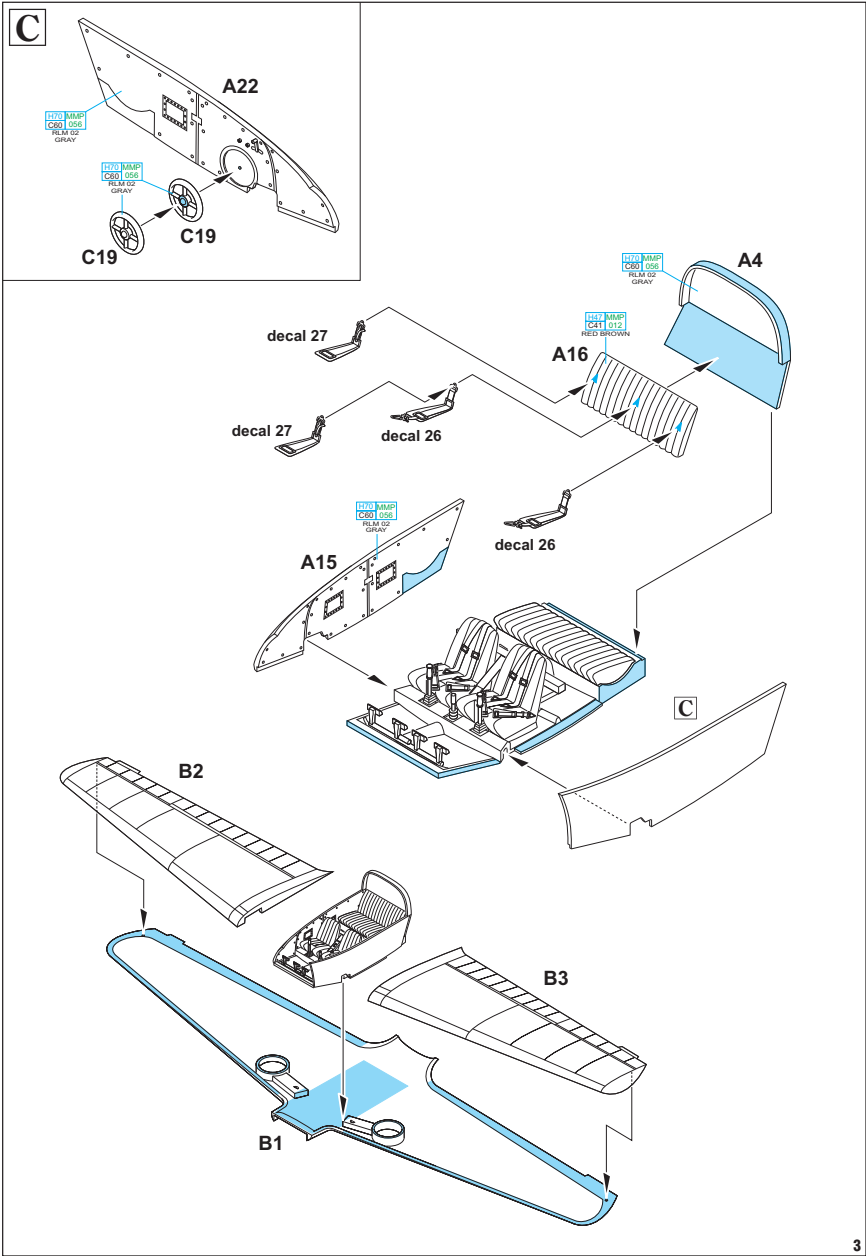
decal 27

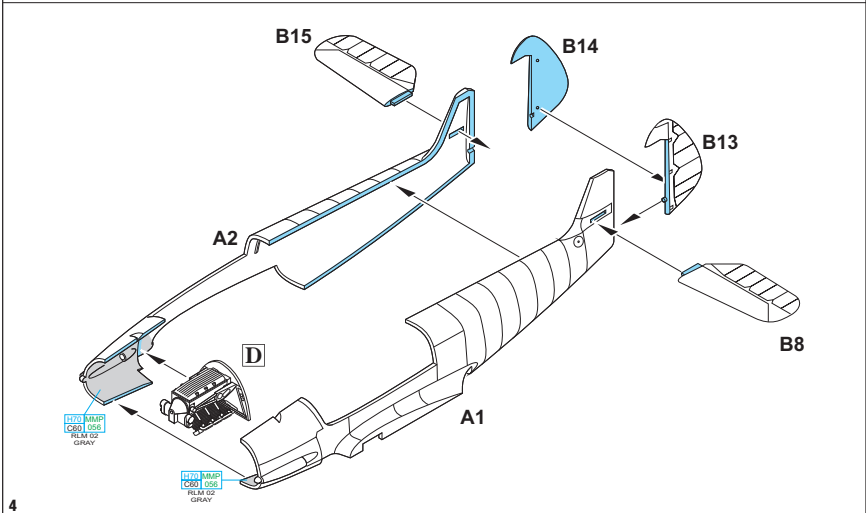
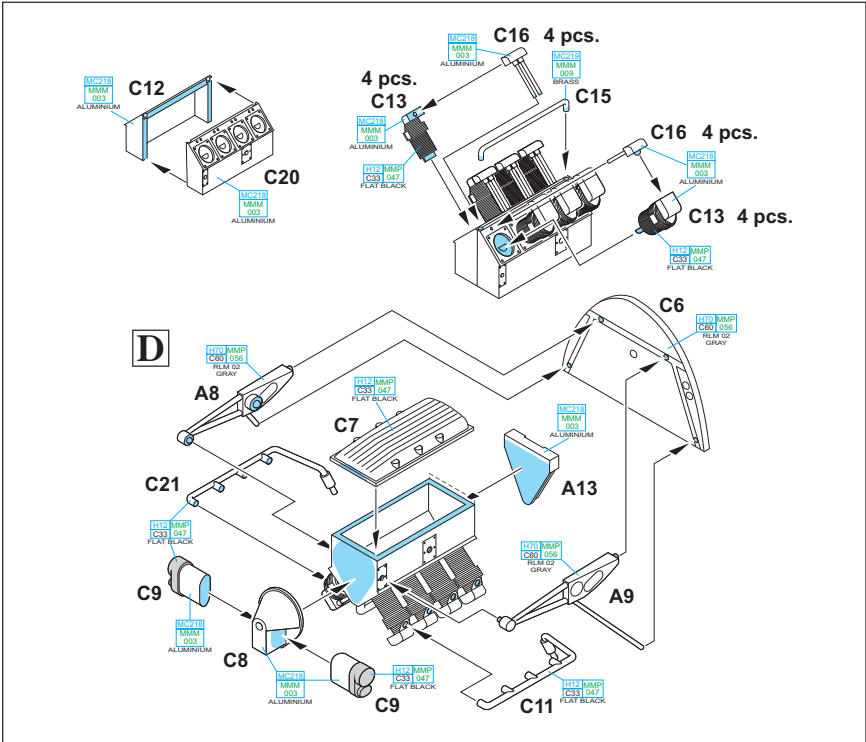
A11

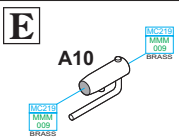
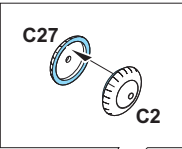
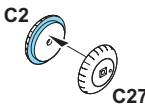
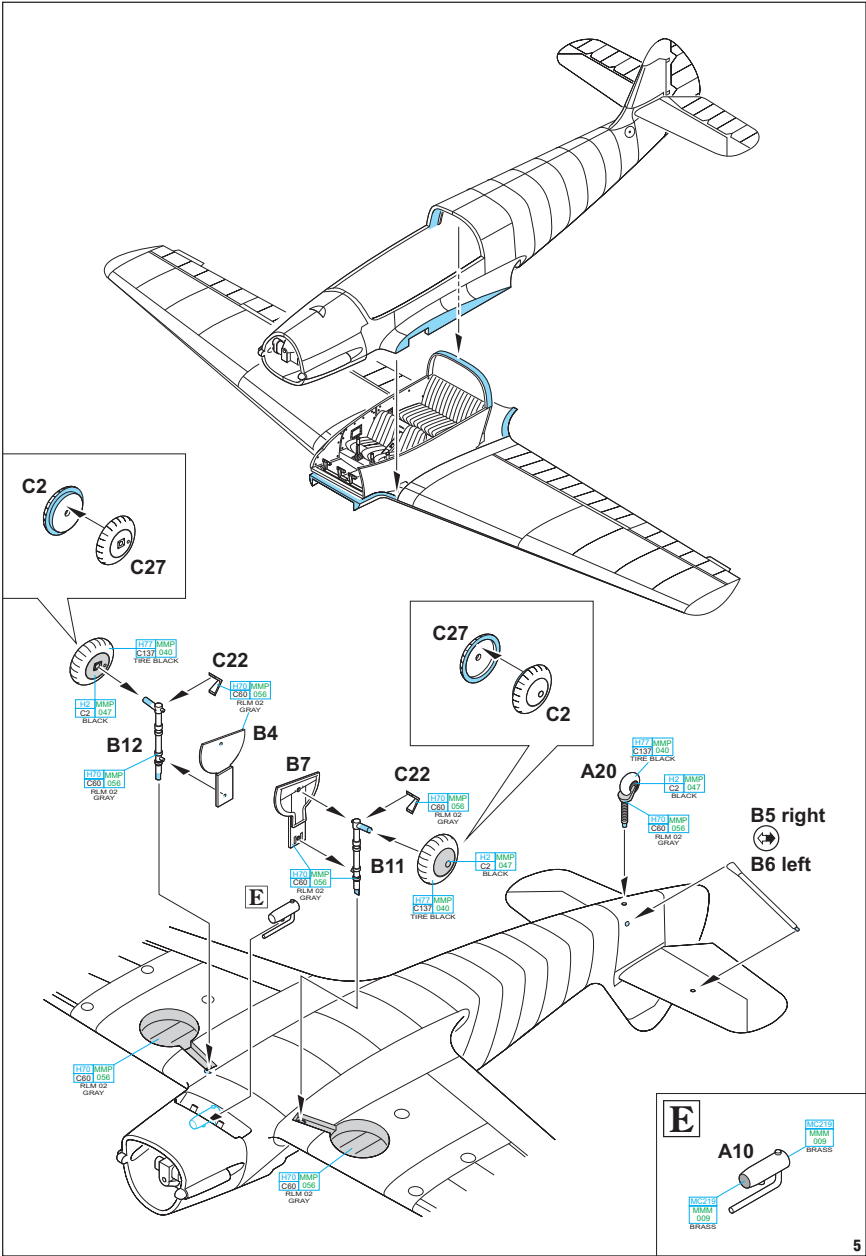
11121 MMP (C41) 056 RED BROWN

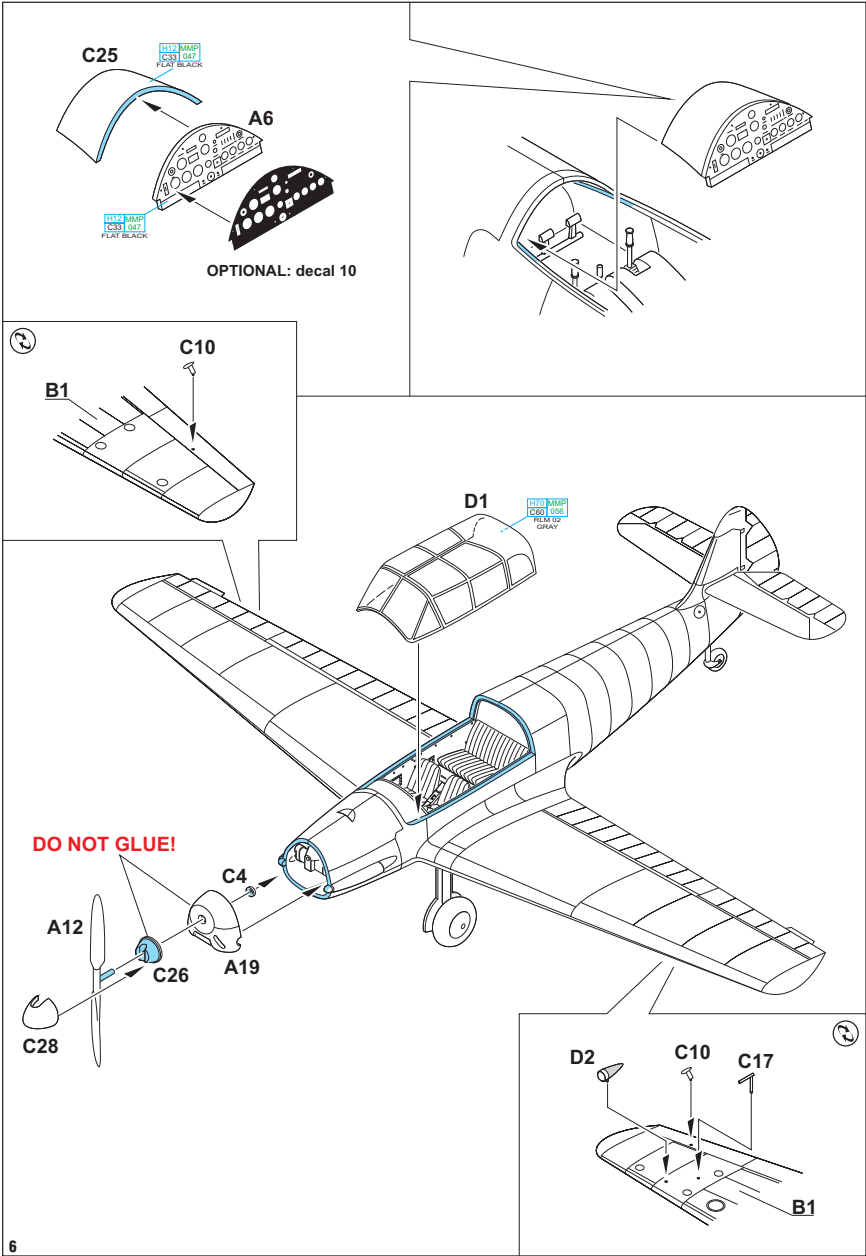
decal 26





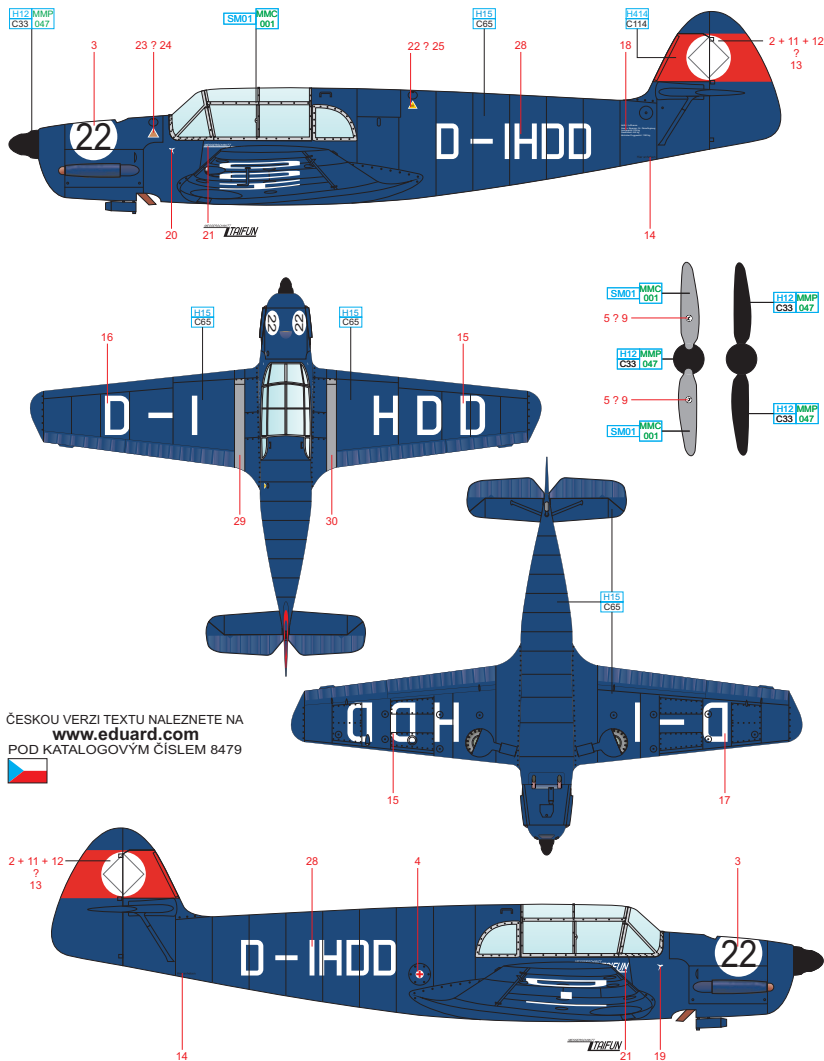






A Manx Air Races, Isle of Man, May 1937

Two Messerschmitt Bf 108Bs took part in the air races that took place in May 1937. These were piloted by Majors Seidemann and Ernst Gerbrecht. Both aircraft were sprayed blue overall, with registration on the wings and fuselage, and also carrying the race number on the nose. The main race was won by Major Seidemann, and in the secondary Tynwald Air Race, he finished second followed by Ernst Gerbrecht.



ČESKOU VERZI TEXTU NALEZNETE NA
www.eduard.com
 POD KATALOGOVÝM ČÍSLEM 8479

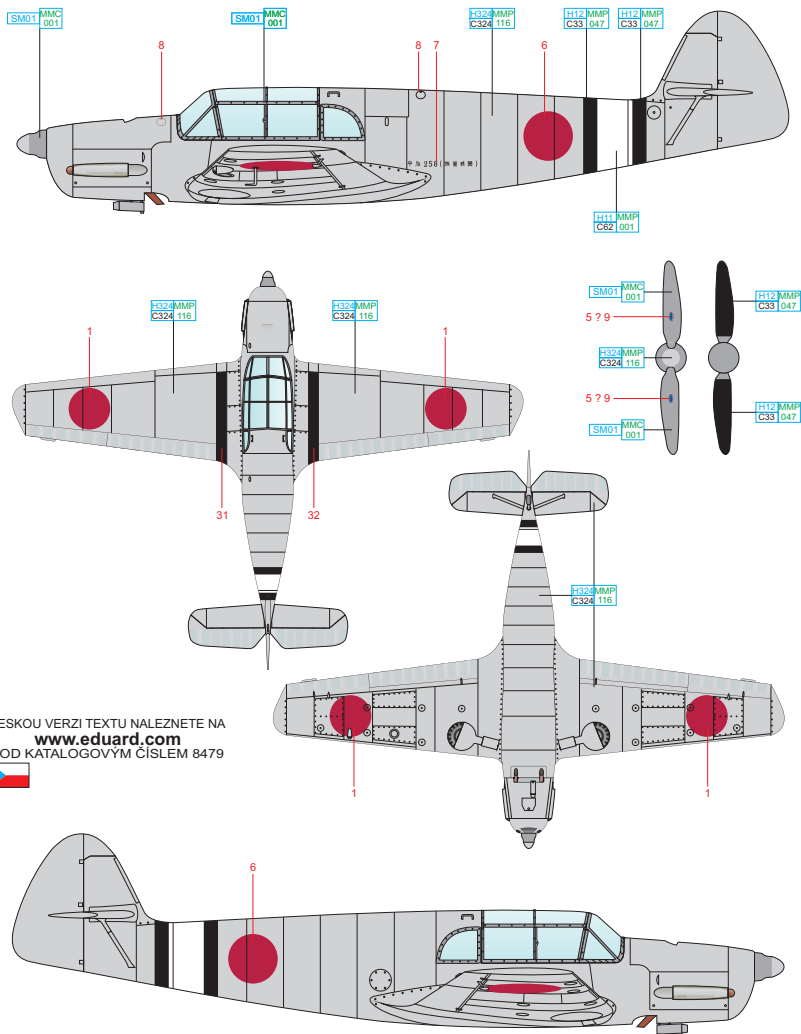


BLUE H112 C33 H115 C85 CHROME SM01 MMC 001 BLACK H112 C33 H114 C114 RLM 23 S114

eduard

B Manchuria Aviation Company, Chanchung Airfield, Manchuria, 1945

The Manchuria Aviation Company was founded on September 26th, 1931, by request of the Japanese military. It's main task was to provide transport and logistical support to the army, with mail runs and passenger service being offered if capacity allowed. One of the types that was operated by the company was the Bf 108, delivered through the mid thirties to the tune of fifteen units. This aircraft was discovered by Soviet troops at Manchung in an all-grey scheme with the dedication 'Aikoku No.258' and a black outlined white band on the rear fuselage, which were reserved for civil operators.



ČESKOU VERZI TEXTU NALEZNETE NA
www.eduard.com
 POD KATALOGOVÝM ČÍSLEM 8479



8 LIGHT GRAY H32 MMP C324 116 CHROME SMD1 MMC 001 WHITE H11 KMP C62 001 BLACK H12 KMP C33 047

eduard